

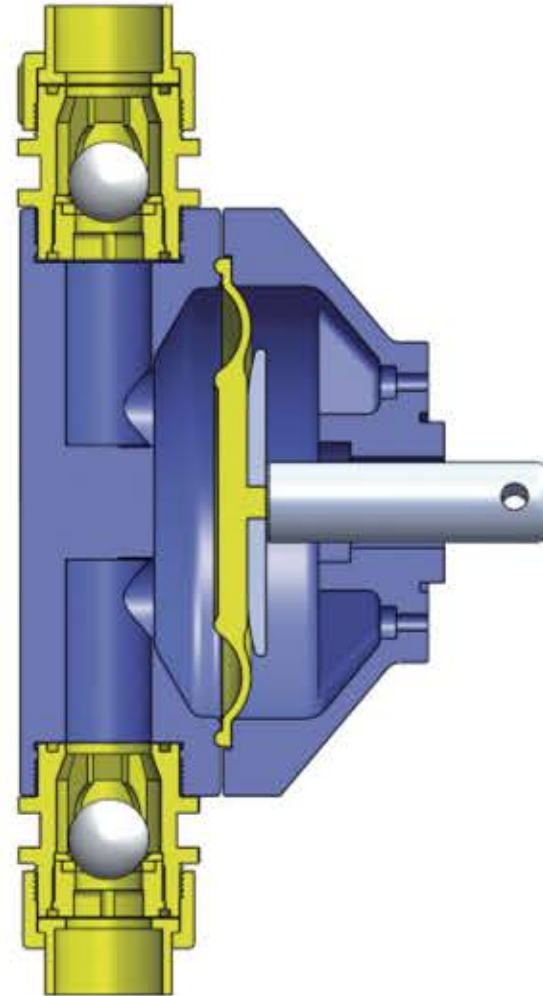
MECHANICAL DIAPHRAGM METERING PUMP

DEFINITION

The diaphragm type metering pump uses a diaphragm to replace the piston, realizes reciprocating motion under the action of the driving mechanism, and completes the pump for the suction and discharge processes.

FEATURES

- No moving seal, no leakage.
- It can transport high viscosity media, abrasive pastes and hazardous chemicals.
- Cast aluminum housing, high heat dissipation and light overall weight.
- The diaphragm is pressed into a multi-layer composite structure, the first layer of super tough Teflon acid-resistant film, the second layer of EPDM elastic rubber, the third layer of thickness 3mm SUS304 supporting iron core, the fourth layer is reinforced with nylon fiber reinforcement, the fifth layer it is fully packaged with EPDM elastic rubber, which can effectively improve the service life of the diaphragm.
- The pressure is generally less than 1.2Mpa.



PUMP HEAD CONFIGURATION ACCORDING TO DIFFERENT APPLICATIONS



PVC



SS304/316



PVDF/PTFE

JLM

Solenoid Metering Pump

PRODUCT CHARACTERISTICS

- Wear-free solenoid driving with no bearing.
- Adjustment both by stroke length and stroke speed.
- Intelligent LED display the stroke speed in percentage.
- **Power:** 110/ 220V 50~60Hz.
- **Material:** PVC; PVDF; SS304; SS316



PARAMETER TABLE

Model	Flow (LPH)	pressure (BAR)	Flow (GPH)	pressure (PSI)	SPM	Diaphragm (mm)	Power (W)	Connection
JLM0110	1.0	10	0.26	145	80	34	28	5*8mm PE hose
JLM0210	2.0	10	0.52	145	140			
JLM0408	4.0	8.0	1.0	116	180			
JLM0505	5.0	5.0	1.3	73	140	41		
JLM0804	8.0	4.0	2.1	58	170			
JLM1003	10	3.0	2.6	44	130	52		
JLM1202	12	2.0	3.1	29	150			
JLM1502	15	2.0	3.9	29	160			
JLM2001	20	1.0	5.2	15	180			

MATERIAL CONSTRUCTION

Material	PVC	PVDF	SS304	SS316
Diaphragm	PTFE	PTFE	PTFE	PTFE
Valve Body	PVC	PVDF	SS304	SS316
Valve Ball	Ceramic	Ceramic	Ceramic	Ceramic
Valve Seat	PTFE	PTFE	SS304	SS316
O Ring	Viton	Viton	PTFE	PTFE

JLM-P

Solenoid
Metering Pump

PRODUCT CHARACTERISTICS

- Wear-free solenoid driving with no bearing.
- Adjustment both by stroke length and stroke speed.
- Intelligent LED display the stroke speed in percentage.
- **Power:** 110/ 220V 50~60Hz.
- **Material:** PVC; PVDF; SS304; SS316
- **Signal functions:** 4-20mA signal or impulse signal



PARAMETER TABLE

Model	Flow (LPH)	pressure (BAR)	Flow (GPH)	pressure (PSI)	SPM	Diaphragm (mm)	Power (W)	Connection
JLM-P0110	1.0	10	0.26	145	80	34	28	5*8mm PE hose
JLM-P0210	2.0	10	0.52	145	140			
JLM-P0408	4.0	8.0	1.0	116	180			
JLM-P0505	5.0	5.0	1.3	73	140	41		
JLM-P0804	8.0	4.0	2.1	58	170	52		
JLM-P1003	10	3.0	2.6	44	130			
JLM-P1202	12	2.0	3.1	29	150			
JLM-P1502	15	2.0	3.9	29	160			
JLM-P2001	20	1.0	5.2	15	180			

MATERIAL CONSTRUCTION

Material	PVC	PVDF	SS304	SS316
Diaphragm	PTFE	PTFE	PTFE	PTFE
Valve Body	PVC	PVDF	SS304	SS316
Valve Ball	Ceramic	Ceramic	Ceramic	Ceramic
Valve Seat	PTFE	PTFE	SS304	SS316
O Ring	Viton	Viton	PTFE	PTFE

JLM-S

Solenoid
Metering Pump

PRODUCT CHARACTERISTICS

- Flow manually controlled by stroke speed.
- Big LCD screen display instant flow and accumulated flow.
- **Power:** 110/ 220V 50~60Hz.
- **Material:** PVC; PVDF; SS304; SS316
- **Signal functions:** 4-20mA signal , impulse signal, RS485



PARAMETER TABLE

Model	Flow (LPH)	pressure (BAR)	Flow (GPH)	pressure (PSI)	SPM	Diaphragm (mm)	Power (W)	Connection
JLM-S0110	1.0	10	0.26	145	80	34	28	5*8mm PE hose
JLM-S0210	2.0	10	0.52	145	140			
JLM-S0408	4.0	8.0	1.0	116	180			
JLM-S0505	5.0	5.0	1.3	73	140	41		
JLM-S0804	8.0	4.0	2.1	58	170	52		
JLM-S1003	10	3.0	2.6	44	130			
JLM-S1203	12	3.0	3.1	44	150			
JLM-S1502	15	2.0	3.9	29	160			
JLM-S2001	20	1.0	5.2	15	180			

MATERIAL CONSTRUCTION

Material	PVC	PVDF	SS304	SS316
Diaphragm	PTFE	PTFE	PTFE	PTFE
Valve Body	PVC	PVDF	SS304	SS316
Valve Ball	Ceramic	Ceramic	Ceramic	Ceramic
Valve Seat	PTFE	PTFE	SS304	SS316
O Ring	Viton	Viton	PTFE	PTFE