



ZHEJIANG LIGAO PUMP TECHNOLOGY CO.,LTD.

**ADD:** NO.227, HUI SHU ROAD, LINHAI CITY, ZHEJIANG PROVINCE, CHINA

**TEL:** +86-576-85289780

**FAX :** +86-576-85668297

**EMAIL:** SALES@LIGAOPUMPS.COM

**WEB:** WWW.LIGAOPUMPS.COM

PRODUCTS ARE SUBJECT TO CHANGE WITHOUT PRIOR NOTICE.



2022-1-EN



# METERING PUMP

SELECTION BROCHURE

TRUSTWORTHY PUMP  
MADE BY LIGAO



LIGAO STYLE

## COMPANY PROFILE

Zhejiang Ligao Pump Technology Co.,Ltd. was established in 2003, which is located in Linhai city, Zhejiang Province. It is a national high-tech enterprise specializing in development, production and sales of metering pumps, rotary lobe pumps, packaged dosing systems, air diaphragm pumps and other pump accessories. Our metering pumps cover solenoid diaphragm metering pump, mechanical diaphragm metering pumps, plunger metering pump, hydraulic diaphragm metering pump. Our pumps are widely used in different fields: water treatment, chemical processing, petrochemical industry, food industry, water plants, pharmaceutical industry, and so on.

We have obtained more than 30 patents, including invention patents and utility patents. Our company and products are certified by ISO 9001, ISO 14001, OHSAS 18001, CE and so on.



The company has more than 150 units advanced machining equipments, and more than 20 advanced test equipments. With more than a decade development, our products have been sold worldwide more than 50 countries, such as South Korea, Thailand, Indonesia, Sweden, USA, and so on.

We sincerely hope we can establish long-term cooperation with you.

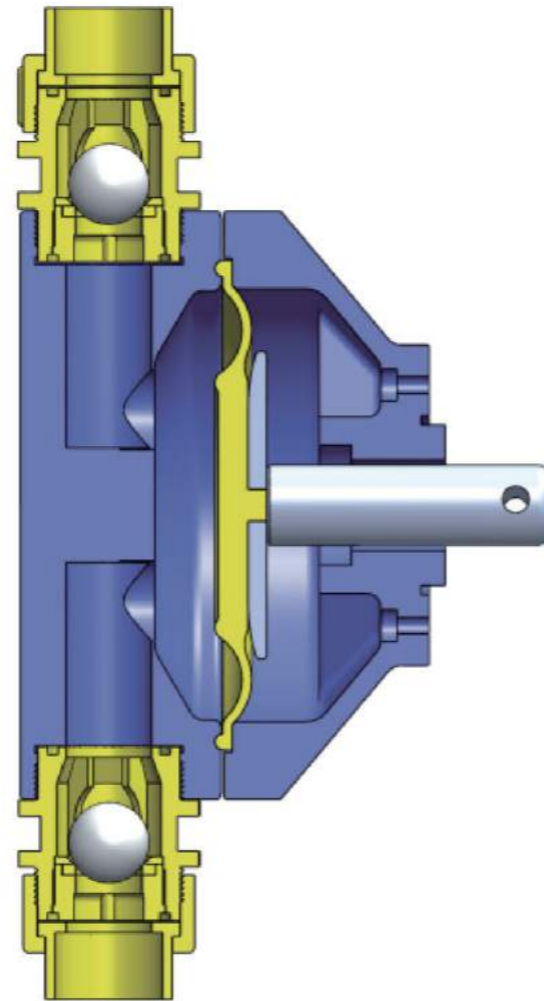
# MECHANICAL DIAPHRAGM METERING PUMP

## DEFINITION

The diaphragm type metering pump uses a diaphragm to replace the piston, realizes reciprocating motion under the action of the driving mechanism, and completes the pump for the suction and discharge processes.

## FEATURES

- No moving seal, no leakage.
- It can transport high viscosity media, abrasive pastes and hazardous chemicals.
- Cast aluminum housing, high heat dissipation and light overall weight.
- The diaphragm is pressed into a multi-layer composite structure, the first layer of super tough Teflon acid-resistant film, the second layer of EPDM elastic rubber, the third layer of thickness 3mm SUS304 supporting iron core, the fourth layer is reinforced with nylon fiber reinforcement, the fifth layer it is fully packaged with EPDM elastic rubber, which can effectively improve the service life of the diaphragm.
- The pressure is generally less than 1.2Mpa.



## PUMP HEAD CONFIGURATION ACCORDING TO DIFFERENT APPLICATIONS



PVC



SS304/316



PVDF/PTFE

# JLM

Solenoid Metering Pump

## PRODUCT CHARACTERISTICS

- Wear-free solenoid driving with no bearing.
- Adjustment both by stroke length and stroke speed.
- Intelligent LED display the stroke speed in percentage.
- **Power:** 110/ 220V 50~60Hz.
- **Material:** PVC; PVDF; SS304; SS316



## PARAMETER TABLE

Model	Flow (LPH)	pressure (BAR)	Flow (GPH)	pressure (PSI)	SPM	Diaphragm (mm)	Power (W)	Connection
JLM0110	1.0	10	0.26	145	80	34	30	5*8mm PE hose
JLM0210	2.0	10	0.52	145	140			
JLM0408	4.0	8.0	1.0	116	180			
JLM0505	5.0	5.0	1.3	73	140	41		
JLM0804	8.0	4.0	2.1	58	170			
JLM1003	10	3.0	2.6	44	130	52		
JLM1203	12	3.0	3.1	44	150			
JLM1502	15	2.0	3.9	29	160			
JLM2001	20	1.0	5.2	15	180			

## MATERIAL CONSTRUCTION

Material	PVC	PVDF	SS304	SS316
Diaphragm	PTFE	PTFE	PTFE	PTFE
Valve Body	PVC	PVDF	SS304	SS316
Valve Ball	Ceramic	Ceramic	Ceramic	Ceramic
Valve Seat	PTFE	PTFE	SS304	SS316
O Ring	Viton	Viton	PTFE	PTFE

# JLM-P

Solenoid  
Metering Pump

## PRODUCT CHARACTERISTICS

- Wear-free solenoid driving with no bearing.
- Adjustment both by stroke length and stroke speed.
- Intelligent LED display the stroke speed in percentage.
- **Power:** 110/ 220V 50~60Hz.
- **Material:** PVC; PVDF; SS304; SS316
- **Signal functions:** 4-20mA signal or impulse signal



## PARAMETER TABLE

Model	Flow (LPH)	pressure (BAR)	Flow (GPH)	pressure (PSI)	SPM	Diaphragm (mm)	Power (W)	Connection
JLM-P0110	1.0	10	0.26	145	80	34	30	5*8mm PE hose
JLM-P0210	2.0	10	0.52	145	140			
JLM-P0408	4.0	8.0	1.0	116	180			
JLM-P0505	5.0	5.0	1.3	73	140	41		
JLM-P0804	8.0	4.0	2.1	58	170	52		
JLM-P1003	10	3.0	2.6	44	130			
JLM-P1203	12	3.0	3.1	44	150			
JLM-P1502	15	2.0	3.9	29	160			
JLM-P2001	20	1.0	5.2	15	180			

## MATERIAL CONSTRUCTION

Material	PVC	PVDF	SS304	SS316
Diaphragm	PTFE	PTFE	PTFE	PTFE
Valve Body	PVC	PVDF	SS304	SS316
Valve Ball	Ceramic	Ceramic	Ceramic	Ceramic
Valve Seat	PTFE	PTFE	SS304	SS316
O Ring	Viton	Viton	PTFE	PTFE

# JLM-S

Solenoid  
Metering Pump

## PRODUCT CHARACTERISTICS

- Flow manually controlled by stroke speed.
- Big LCD screen display instant flow and accumulated flow.
- **Power:** 110/ 220V 50~60Hz.
- **Material:** PVC; PVDF; SS304; SS316
- **Signal functions:** 4-20mA signal, impulse signal, RS485



## PARAMETER TABLE

Model	Flow (LPH)	pressure (BAR)	Flow (GPH)	pressure (PSI)	SPM	Diaphragm (mm)	Power (W)	Connection
JLM-S0110	1.0	10	0.26	145	80	34	30	5*8mm PE hose
JLM-S0210	2.0	10	0.52	145	140			
JLM-S0408	4.0	8.0	1.0	116	180			
JLM-S0505	5.0	5.0	1.3	73	140	41		
JLM-S0804	8.0	4.0	2.1	58	170	52		
JLM-S1003	10	3.0	2.6	44	130			
JLM-S1203	12	3.0	3.1	44	150			
JLM-S1502	15	2.0	3.9	29	160			
JLM-S2001	20	1.0	5.2	15	180			

## MATERIAL CONSTRUCTION

Material	PVC	PVDF	SS304	SS316
Diaphragm	PTFE	PTFE	PTFE	PTFE
Valve Body	PVC	PVDF	SS304	SS316
Valve Ball	Ceramic	Ceramic	Ceramic	Ceramic
Valve Seat	PTFE	PTFE	SS304	SS316
O Ring	Viton	Viton	PTFE	PTFE

# JBB

Mechanical Diaphragm  
Metering Pump



## MAIN PARAMETER

- **Flow range:** 15-150LPH@50Hz/18-180LPH@60Hz
- **Pressure range:** 4-10 Bar
- **Power:** 380V/220V @50Hz on standard, others on request,  
DC12V or 24V is available
- **Material:** PVC; PVDF; SS304; SS316; PTFE

## PARAMETER TABLE

Model	50Hz			60Hz			pressure		Diaphragm (mm)	Power
	Flow (LPH)	Flow (GPH)	SPM	Flow (GPH)	Flow (LPH)	SPM	BAR	PSI		
JBB15/1.0	15	3.9	100	4.7	18	120	10	145	60	60W
JBB25/1.0	25	6.6		7.9	30		10	145		
JBB40/0.7	40	10		150	12		48	180		
JBB60/0.6	60	60	100	19	72	120	6	87	84	
JBB80/0.5	80	21		25	96		5	73		
JBB100/0.4	100	26		32	120		4	58		
JBB130/0.4	130	34	150	41	156	180	4	58	95	
JBB150/0.3	150	39		47	180		3	43		

## CONNECTION

Model	PVC	PVDF/PTFE	SS304/316
JBB15-JBB40	6*9 mm hose	RC1/2" F	10*16mm welding union
JBB60-JBB150	DN15 glue union	RC1/2" F	

10\*14mm hose connection is also optional for JBB60-JBB150.

# KD

Mechanical Diaphragm  
Metering Pump



## MAIN PARAMETER

- **Flow range:** 15-180LPH@50Hz/18-216LPH@60Hz
- **Pressure range:** 5-8 Bar
- **Power:** 380V@50Hz on standard, others on request
- **Material:** PVC; PVDF; SS304; SS316; PTFE

## PARAMETER TABLE

Model	50Hz			60Hz			pressure		Diaphragm (mm)	Power
	Flow (LPH)	Flow (GPH)	SPM	Flow (GPH)	Flow (LPH)	SPM	BAR	PSI		
KD15/0.8	15	3.9	48	4.7	18	58	8	116	60	180W
KD20/0.8	20	5.2		6	24		8	116		
KD40/0.8	40	10.5		96	12		48	115		
KD60/0.6	60	15.7	96	18	72	115	6	87	95	
KD80/0.6	80	21		25	96		6	87		
KD120/0.5	120	31.5		37	144		5	73		
KD180/0.5	180	47.3	144	56	216	115	5	73		

## CONNECTION

Model	PVC	PVDF/PTFE	SS304/316
KD15-KD40	6*9 mm PE hose	RC1/2" F	10*16mm welding union
KD60-KD180	DN15 glue union	RC1/2" F	

# GM

Mechanical Diaphragm  
Metering Pump

## MAIN PARAMETER

- Flow range: 10-500LPH@50Hz/12-600LPH@60Hz
- Pressure range: 5-12 Bar
- Power: 380V@50Hz on standard, others on request
- Material: PVC; PVDF; SS304; SS316; PTFE



## PARAMETER TABLE

Model	50Hz			60Hz			pressure		Diaphragm (mm)	Power		
	Flow (LPH)	Flow (GPH)	SPM	Flow (GPH)	Flow (LPH)	SPM	BAR	PSI				
GM10/1.2	10	2.6	48	3.1	12	58	12	174	60	0.37KW		
GM25/1.0	25	6.6		7.9	30		10	145				
GM50/1.0	50	13		16	60		10	145				
GM90/0.7	90	23	48	28	108	58	7	102	112			
GM120/0.7	120	32		38	144		7	102				
GM170/0.7	170	45		54	204		7	102				
GM240/0.5	240	63	96	76	288	115	5	73			185	
GM330/0.5	330	86		104	396		5	73				
GM400/0.5	400	105		126	480		5	73				
GM500/0.5	500	131	144	157	600	173	5	73				185

## CONNECTION

Model	PVC	PVDF/PTFE	SS304/316
GM10-GM25	6*9 mm PE hose	RC1/2" F	10*16mm welding union
GM50-GM120	DN15 glue union	RC1/2" F	10*16mm welding union
GM170-GM330	DN15 glue union	RC1/2" F	15*22mm welding union
GM400-GM500	DN15 glue union	RC3/4" F	15*22mm welding union

# GB

Mechanical Diaphragm  
Metering Pump

## MAIN PARAMETER

- Flow range: 240-1800LPH@50Hz/288-2160LPH@60Hz
- Pressure range: 3-10 Bar
- Power: 380V@50Hz on standard, others on request
- Material: PVC; PVDF; SS304; SS316; PTFE



## PARAMETER TABLE

Model	50Hz			60Hz			pressure		Diaphragm (mm)	Power		
	Flow (LPH)	Flow (GPH)	SPM	Flow (GPH)	Flow (LPH)	SPM	BAR	PSI				
GB240/1.0	240	63	48	75	288	58	10	145	148	0.75KW		
GB320/1.0	320	84		101	384		10	145				
GB500/1.0	500	131		157	600		10	145				
GB680/0.7	680	179	96	214	816	115	7	102			185	
GB760/0.5	760	200		240	912		5	73				
GB1000/0.4	1000	264		315	1200		4	58				
GB1200/0.4	1200	315	144	379	1440	173	4	58				185
GB1600/0.3	1600	421		505	1920		3	44				
GB1800/0.3	1800	476		571	2160		3	44				

## CONNECTION

Model	PVC	PVDF	PTFE	SS304/316
GB240-GB1000	DN25 glue union	RC 1" F	DN25 PVC Flange	RC 1" F
GB1200-GB1800	DN40 glue union	RC 1.5" F	DN40 PVC Flange	RC 1.5" F

# GB-S

Mechanical Diaphragm  
Metering Pump

## MAIN PARAMETER

- **Flow range:** 1360-3600LPH@50Hz/1632-4320LPH@60Hz
- **Pressure range:** 3-5 Bar
- **Power:** 380V@50Hz on standard, others on request
- **Material:** PVC; PVDF; SS304; SS316; PTFE



## PARAMETER TABLE

Model	50Hz			60Hz			pressure		Diaphragm (mm)	Power
	Flow (LPH)	Flow (GPH)	SPM	Flow (GPH)	Flow (LPH)	SPM	BAR	PSI		
GB-S1360/0.7	1360	357	96	429	1632	115	7	102	148	1.1KW
GB-S1500/0.5	1500	394	144	473	1800	173	5	73		
GB-S2000/0.4	2000	528		634	2400		4	58		
GB-S2400/0.4	2400	631	96	757	2880	115	4	58	185	
GB-S3200/0.3	3200	842	144	1010	3840	173	3	44		
GB-S3600/0.3	3600	951		1141	4320		3	44		

## CONNECTION

Model	PVC	PVDF	PTFE	SS304/316
GB-S1360~2000	DN25 glue union	RC 1" F	DN25 PVC Flange	RC 1" F
GB-S2800~3600	DN40 glue union	RC 1.5" F	DN40 PVC Flange	RC 1.5" F

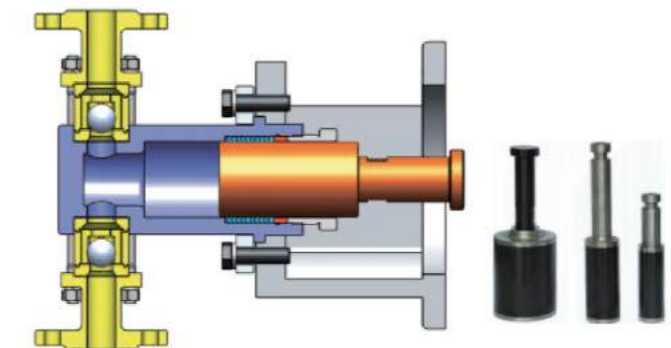
# PLUNGER TYPE METERING PUMP

## DEFINITION

A pump that periodically changes the volume of the working chamber by the reciprocating straight line of the plunger.

## MAIN FEATURES

- High pressure, up to 50Mpa
- High accuracy, the precision error within 1%
- For high viscosity, up to 2000cps
- Plunger made of ceramic or SS316 coated with ceramic
- Heat jacket or cooling jacket is available
- All model can be equipped with auto stroke controller



## APPLICATIONS

Widely used in chemical, petroleum, metallurgy, electric power, medicine, food, plastic foam and other fields. It is especially popular in processes that deliver high viscosity, high pressure, and high temperatures.

## MATERIAL OPTIONS

Wetted Parts: Standard material is SS304 or SS316, other materials on request  
Gear Box: Casting

# JPX

Plunger  
Metering Pump

## MAIN PARAMETER

- Flow range: 1-230LPH@50Hz/1.2-276LPH@60Hz
- Pressure range: 1-400 Bar
- Power: **0.37kw** IEC71 4 pole Motor
- Material: SS304; SS316, others on request



## PARAMETER TABLE

Model	50Hz		60Hz		pressure (MPa)	Piston Size		Stroke Length (mm)	Motor Power (KW)	Connection		
	Flow Rate (L/H)	PUMP Speed (SPM)	Flow Rate (L/H)	Pump Speed (SPM)		Dia (mm)						
JPX1/40	1	96	1.2	115	40	6	20	0.37	DN6 union for welding			
JPX2/40	2		2.4		40	6						
JPX5/33	5		6		33	8						
JPX8/21	8		9.6		21	10						
JPX12/15	12		14		15	12						
JPX20/8	20		24		8	16						
JPX33/5	33		40		5	20				DN10 union for welding		
JPX52/3.3	52		62		3.3	25						
JPX65/2.6	65		78		2.6	28						
JPX88/2.1	88		106		2.1	32						
JPX105/1.7	105		126		1.7	35						
JPX125/1.4	125		150		1.4	38						
JPX155/1.1	155		144		186	173				1.1	42	DN15 union for welding
JPX190/1.1	190				228					1.1	38	
JPX230/1.0	230	276		1	42							

Duplex or Triplex head is available.

# 2J-X

Plunger  
Metering Pump

## MAIN PARAMETER

- Flow range: 5-300LPH@50Hz/6-360LPH@60Hz
- Pressure range: 1-400 Bar
- Power: **0.37kw** IEC71 4 pole Motor
- Material: SS304; SS316, others on request



## PARAMETER TABLE

Model	50Hz		60Hz		Pressure (MPa)	Piston Size		Stroke Length (mm)	Motor Power (KW)	Connection
	Flow Rate (L/H)	Pump Speed (SPM)	Flow Rate (L/H)	Pump Speed (SPM)		Dia (mm)				
2J-X5/40	5	96	6	115	40	6	20	0.37	DN6 union for welding	
2J-X8/32	8		9.6		32	8				
2J-X16/20	16		19		20	10				
2J-X25/14	25		30		14	12				
2J-X40/5.4	40		48		5.4	16				DN8 union for welding
2J-X60/3.5	60		72		3.5	20				
2J-X100/2.2	100		120		2.2	25				DN10 union for welding
2J-X130/1.7	130		156		1.7	28				
2J-X160/1.3	160		192		1.3	32				
2J-X200/1.0	200		240		1.0	35				
2J-X250/0.8	250		300		0.8	38				
2J-X300/0.6	300		360		0.6	42				



# JPZ

Plunger  
Metering Pump

## MAIN PARAMETER

- Flow range: 6-600LPH@50Hz/7.2-720LPH@60Hz
- Pressure range: 8-500 Bar
- Power: 0.75kw IEC80 4 pole Motor
- Material: SS304; SS316, others on request



## PARAMETER TABLE

Model	50Hz		60Hz		pressure (MPa)	Piston Size Dia (mm)	Stroke Length (mm)	Motor Power (KW)	Connection
	Flow Rate (L/H)	Pump Speed (SPM)	Flow Rate (L/H)	Pump Speed (SPM)					
JPZ6/50	6	96	7.2	115	50	8	25	0.75	DN6 union for welding
JPZ10/45	10		12		45	10			
JPZ15/30	15		18		30	12			
JPZ26/17	26		31		17	16			DN10 union for welding
JPZ42/10	42		50		10	20			
JPZ66/7	66		79		7	25			
JPZ85/5.5	85		102		5.5	28			DN15 union for welding
JPZ110/4.0	110		132		4	32			
JPZ135/3.3	135		162		3.3	35			
JPZ160/2.8	160		192		2.8	38			DN15 union for welding
JPZ200/2.3	200		240		2.3	42			
JPZ225/2.0	225		270		2	45			
JPZ280/1.7	280		336		1.7	50			DN25 Flange (HG/T20592 RF)
JPZ335/1.3	335		402		1.3	55			
JPZ400/1.1	400		480		1.1	60			
JPZ500/1.0	500		600		1	55			DN25 Flange (HG/T20592 RF)
JPZ600/0.8	600		720		0.8	60			

Duplex or Triplex head is available.

# JPR

Plunger  
Metering Pump

## MAIN PARAMETER

- Flow range: 18-1620LPH@50Hz/22-1944LPH@60Hz
- Pressure range: 7-500 Bar
- Power: 1.5kw IEC90 4 pole Motor
- Material: SS304; SS316, others on request



## PARAMETER TABLE

Model	50Hz		60Hz		Pressure (MPa)	Piston Size Dia (mm)	Stroke Length (mm)	Motor Power (KW)	Connection
	Flow Rate (L/H)	Pump Speed (SPM)	Flow Rate (L/H)	Pump Speed (SPM)					
JPR18/50	18	96	22	115	50	12	30	1.5	DN10 union for welding
JPR32/31	32		38		31	16			
JPR52/20	52		62		20	20			
JPR80/12	80		96		12	25			DN15 union for welding
JPR100/10	100		120		10	28			
JPR135/8	135		162		8	32			
JPR160/6.5	160		192		6.5	35			DN15 union for welding
JPR190/5.5	190		228		5.5	38			
JPR232/4.5	232		278		4.5	42			
JPR268/4.0	268		322		4	45			DN25 Flange (HG/T20592 RF)
JPR332/3.2	332		398		3.2	50			
JPR400/2.5	400		480		2.5	55			
JPR480/2.2	480		576		2.2	60			DN25 Flange (HG/T20592 RF)
JPR565/1.8	565		678		1.8	65			
JPR655/1.6	655		786		1.6	70			
JPR750/1.4	750		786		1.4	75			DN40 Flange (HG/T20592 RF)
JPR855/1.2	855		1026		1.2	80			
JPR965/1.0	965		1158		1.0	85			
JPR1080/0.9	1080	1296	0.9	90	DN40 Flange (HG/T20592 RF)				
JPR1280/0.9	1280	1536	0.9	80					
JPR1450/0.8	1450	1740	0.8	85					
JPR1620/0.7	1620	1944	0.7	90					

Duplex or Triplex head is available.



## MAIN PARAMETER

- **Flow range:** 30-3720LPH@50Hz/36-4464LPH@60Hz
- **Pressure range:** 3kw/4KW 4 pole Motor
- **Power:** 3kw IEC100 4 pole Motor
- **Material:** SS304; SS316, others on request

## PARAMETER TABLE

Model	50Hz		60Hz		Pressure (MPa)		Piston Size Dia (mm)	Stroke Length (mm)	Connection
	Flow Rate (L/H)	Pump Speed (SPM)	Flow Rate (L/H)	Pump Speed (SPM)	3KW	4KW			
JPD30/50	30	96	36	115	50	/	12	50	DN10 union for welding
JPD55/(50/40)	55		66		40	50	16		
JPD85/(35/25)	85		102		25	35	20		
JPD135/(22/16)	135		162		16	22	25		
JPD170/(17/12)	170		204		12	17	28		
JPD225/(13/9)	225		270		9	13	32		
JPD320/(9/6.8)	320		384		6.8	9	38		
JPD390/(8/5.6)	390		468		5.6	8	42		
JPD450/(7/4.8)	450		540		4.8	7	45		
JPD555/(5.6/4.0)	555		666		4	5.6	50		
JPD675/(4.7/3.4)	675		810		3.4	4.7	55		
JPD805/(4.0/2.8)	805		966		2.8	4	60		
JPD945/(3.3/2.3)	945		1134		2.3	3.3	65		
JPD1100/(2.8/2.0)	1100		1320		2	2.8	70		
JPD1255/(2.5/1.8)	1255		1506		1.8	2.5	75		
JPD1435/(2.2/1.6)	1435		1722		1.6	2.2	80		
JPD1620/(2.0/1.5)	1620		1944		1.5	2	85		
JPD1820/(1.8/1.3)	1820		2184		1.3	1.8	90		
JPD2015/(1.6/1.2)	2015		2418		1.2	1.6	95		
JPD2250/(1.4/1.0)	2250		2700		1	1.4	100		
JPD2480/(1.2/0.9)	2480	2976	0.9	1.2	105				
JPD3050/(1.0/0.8)	3050	3660	0.8	1.0	95				
JPD3380/(0.9/0.7)	3380	4056	0.7	0.9	100				
JPD3720/(0.8/0.6)	3720	4464	0.6	0.8	105				

Duplex or Triplex head is available.



## MAIN PARAMETER

- **Flow range:** 85-14300LPH@50Hz/102-17160LPH@60Hz
- **Pressure range:** 4-500 Bar
- **Power:** 3kw/4kw/11kw 4 pole Motor
- **Material:** SS304; SS316, others on request

## PARAMETER TABLE

Model	50Hz		60Hz		Pressure (MPa)			Piston Size Dia (mm)	Stroke Length (mm)	Connection
	Flow Rate (L/H)	Pump Speed (SPM)	Flow Rate (L/H)	Pump Speed (SPM)	3KW	4KW	11KW			
JPT85/50	85	96	102	115	50	/	/	16	80	DN15 Flange (HG/T20615 TG)
JPT135/(50/36)	135		162		36	50	/	20		
JPT218(50/32/23)	218		262		23	32	50	25		
JPT275(40/25/19)	275		330		19	25	40	28		
JPT360(30/20/14)	360		432		14	20	30	32		
JPT510(21/14/10)	510		612		10	14	21	38		
JPT620(18/12/8.5)	620		744		8.5	12	18	42		
JPT885(12/8.2/6.0)	885		1062		6	8.2	12	50		
JPT1070(10/6.8/5.0)	1070		1284		5	6.8	10	55		
JPT1280(8.7/5.6/4.1)	1280		1536		4.1	5.6	8.7	60		
JPT1500(7.5/4.9/3.5)	1500		1800		3.5	4.9	7.5	65		
JPT1750(6.5/4.2/3.0)	1750		2100		3	4.2	6.5	70		
JPT2000(5.5/3.7/2.6)	2000		2400		2.6	3.7	5.5	75		
JPT2300(4.8/3.2/2.3)	2300		2760		2.3	3.2	4.8	80		
JPT2600(4.3/2.9/2.0)	2600		3120		2	2.9	4.3	85		
JPT2900(3.8/2.5/1.8)	2900		3480		1.8	2.5	3.8	90		
JPT3230(3.5/2.3/1.6)	3230		3876		1.6	2.3	3.5	95		
JPT3600(3.1/2.1/1.5)	3600		4320		1.5	2.1	3.1	100		
JPT4350(2.6/1.7/1.2)	4350		5220		1.2	1.7	2.6	110		
JPT5200(2.2/1.4/1.0)	5200		6240		1	1.4	2.2	120		
JPT6050(1.8/1.2/0.9)	6050	7260	0.9	1.2	1.8	130				
JPT7050(1.6/1.0/0.8)	7050	8460	0.8	1	1.6	140				
JPT8100(1.4/0.9/0.7)	8100	9720	0.7	0.9	1.4	150				
JPT9200(1.2/0.8/0.6)	9200	11040	0.6	0.8	1.2	160				
JPT10400(1.1/0.7/0.5)	10400	12480	0.5	0.7	1.1	170				
JPT11600(0.9/0.6/0.5)	11600	13920	0.5	0.6	0.9	180				
JPT13000(0.8/0.6/0.4)	13000	15600	0.4	0.6	0.8	190				
JPT14300(0.7/0.5/0.4)	14300	17160	0.4	0.5	0.7	200				

Duplex or Triplex head is available.

# HYDRAULIC TYPE DIAPHRAGM METERING PUMP

## DEFINITION

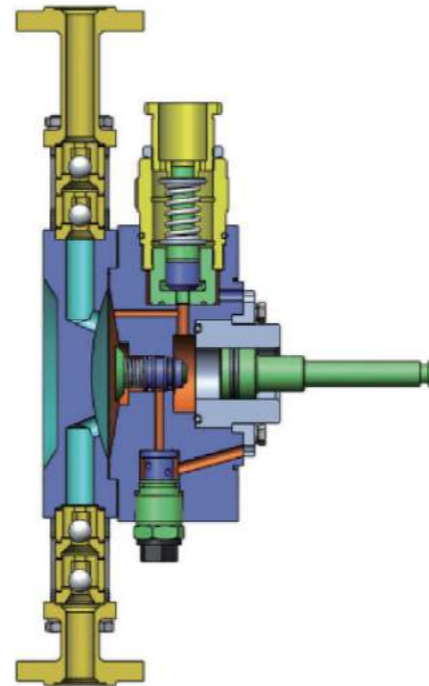
Hydraulic diaphragm pump has a reciprocating diaphragm in a hydraulic oil chamber in place of reciprocating piston inside a cylinder to produce the pumping action of the reciprocating positive displacement pump.

## MAIN FEATURES

- High pressure, up to 30Mpa
- High accuracy, the precision error within 1%
- No leakage
- Can transfer liquid temperature -20°C to 100°C
- Heat jacket or cooling jacket is available
- Including internal safety valve
- All model can be equipped with auto stroke controller
- Double diaphragm with leakage detection is optional.

## APPLICATIONS

Generally used for strong corrosive, volatile, flammable and explosive, highly toxic, radioactive medium or precious metals.



## MATERIAL OPTIONS

Wetted Parts: Standard material is SS304 or SS316, other materials on request

**Gear Box: Casting**  
**Diaphragm: PTFE**

## DOUBLE DIAPHRAGM WITH LEAKAGE DETECTION PUMP

Double diaphragm with leakage detection pump can prevent leakage after the first diaphragm is ruptured. The pump will automatically stop when the rupture happens within 0.2~6 seconds, and make sound and light alarm.

# JYPX

Hydraulic Diaphragm Pump

## MAIN PARAMETER

- Flow range: 1.5-210LPH@50Hz/1.8-252LPH@60Hz
- Pressure range: 10-600 Bar
- Power: **0.37kw** IEC71 4 Pole Motor
- Material: SS304; SS316, other on request



## PARAMETER TABLE

Model	50Hz		60Hz		Pressure (MPa)	Piston Size		Stroke Length (mm)	Motor Power (KW)	Connection
	Flow Rate (L/H)	Pump Speed (SPM)	Flow Rate (L/H)	Pump Speed (SPM)		Dia (mm)				
JYPX1.5/60	1.5	96	1.8	115	60	6	20	0.37	DN6 union for welding	
JYPX3.5/33	3.5		4.2		33	8				
JYPX6/25	6	7.2	25	8						
JYPX11/18	11	13.2	18	10						
JYPX18/12	18	22	12	12						
JYPX30/7	30	36	7	16						
JYPX50/4.5	50	60	4.5	20	DN10 union for welding					
JYPX80/2.8	80	96	2.8	25						
JYPX100/2.2	100	120	2.2	28						
JYPX135/1.8	135	162	1.8	32						
JYPX160/1.5	160	192	1.5	35						
JYPX190/1.2	190	228	1.2	38	DN15 union for welding					
JYPX210/1.0	210	252	1	40						

Duplex or Triplex head is available.

# JYPZ

Hydraulic  
Diaphragm Pump

## MAIN PARAMETER

- Flow range: 5-820LPH@50Hz/6-984LPH@60Hz
- Pressure range: 6-700 Bar
- Power: **0.75kw** IEC80 4 Pole Motor
- Material: SS304; SS316, other on request\*



## PARAMETER TABLE

Model	50Hz		60Hz		Pressure (MPa)	Piston Size Dia (mm)	Stroke Length (mm)	Motor Power (KW)	Connection
	Flow Rate (L/H)	Pump Speed (SPM)	Flow Rate (L/H)	Pump Speed (SPM)					
JYPZ5/70	5	96	6	115	70	8	25	0.75	DN6 union for welding
JYPZ8/44	8		9.6		10				
JYPZ13/30	13		15.6		12				
JYPZ20/22	20	144	24	173	22	12	30	0.75	DN10 union for welding
JYPZ38/12	38		45.6		16				
JYPZ50/10	50		60		18				
JYPZ62/8	62		74		20				
JYPZ76/6.5	76		91		22				
JYPZ100/5.0	100		120		25				
JYPZ140/3.5	140		168		30				
JYPZ165/3.2	165		198		32				
JYPZ210/2.5	210		252		36				
JYPZ260/2.0	260		312		40				
JYPZ330/1.6	330	396	45	DN25 Flange (HG/T20592 RF)					
JYPZ410/1.3	410	492	50						
JYPZ500/1.0	500	600	55						
JYPZ600/0.8	600	720	60						
JYPZ700/0.7	700	840	65						
JYPZ820/0.6	820	984	70						

Duplex or Triplex head is available.

# JYPR

Hydraulic  
Diaphragm Pump

## MAIN PARAMETER

- Flow range: 10-1600LPH@50Hz/12-1920LPH@60Hz
- Pressure range: 7-700 Bar
- Power: **1.5kw** IEC90 4 Pole Motor
- Material: SS304; SS316, other on request



## PARAMETER TABLE

Model	50Hz		60Hz		Pressure (MPa)	Piston Size Dia (mm)	Stroke Length (mm)	Motor Power (KW)	Connection
	Flow Rate (L/H)	Pump Speed (SPM)	Flow Rate (L/H)	Pump Speed (SPM)					
JYPR10/70	10	96	12	115	70	10	30	1.5	DN6 union for welding
JYPR15/56	15		18		12				
JYPR30/32	30		36		16				
JYPR46/23	46	144	55	173	23	16	30	1.5	DN10 union for welding
JYPR60/18	60		72		18				
JYPR75/15	75		90		20				
JYPR92/12.5	92		110		22				
JYPR120/9.5	120		144		25				
JYPR175/6.5	175		210		30				
JYPR200/5.8	200		240		32				
JYPR252/4.5	252		302		36				
JYPR315/3.7	315		378		40				
JYPR400/3.0	400		480		45				
JYPR500/2.4	500	600	50	DN25 Flange (HG/T20592 RF)					
JYPR600/2.0	600	720	55						
JYPR720/1.7	720	864	60						
JYPR830/1.4	830	996	65						
JYPR960/1.2	960	1152	70						
JYPR1100/1.0	1100	1320	75	DN40 Flange (HG/T20592 RF)					
JYPR1250/0.9	1250	1500	80						
JYPR1420/0.8	1420	1704	85						
JYPR1600/0.7	1600	1920	90						

Duplex or Triplex head is available.

# JYPD

Hydraulic  
Diaphragm Pump



## MAIN PARAMETER

- Flow range: 25-3350LPH@50Hz/30-4020LPH@60Hz
- Pressure range: 7-700 Bar
- Power: **3kw/4kw** 4 Pole Motor
- Material: SS304; SS316, other on request

## PARAMETER TABLE

Model	50Hz		60Hz		Pressure (MPa)		Piston Size Dia (mm)	Stroke Length (mm)	Connection
	Flow Rate (L/H)	Pump Speed (SPM)	Flow Rate (L/H)	Pump Speed (SPM)	3KW	4KW			
JYPD25/70	25	96	30	115	70	/	12	50	DN10 union for welding
JYPD40/(70/52)	40	144	48	173	52	70	12		
JYPD80/(42/30)	80		96		30	42	16		
JYPD100/(32/22)	100		120		22	32	18		
JYPD125/(26/19)	125		150		19	26	20		
JYPD155/(21/16)	155		186		16	21	22		
JYPD200/(17/12)	200		240		12	17	25		
JYPD300/(11/8.5)	300		360		8.5	11	30		
JYPD330/(10/7.5)	330		396		7.5	10	32		
JYPD425/(8.3/6.0)	425		510		6	8.3	36		
JYPD525/(6.6/4.8)	525		630		4.8	6.6	40		
JYPD670/(5.2/3.7)	670		804		3.7	5.2	45		
JYPD820/(4.2/3.1)	820		984		3.1	4.2	50		
JYPD1000/(3.5/2.5)	1000		1200		2.5	3.5	55		
JYPD1200/(3.0/2.1)	1200		1440		2.1	3	60		
JYPD1315/(2.7/1.9)	1315	1578	1.9	2.7	63				
JYPD1400/(2.5/1.8)	1400	1680	1.8	2.5	65				
JYPD1630/(2.1/1.6)	1630	1956	1.6	2.1	70				
JYPD1880/(1.9/1.4)	1880	2256	1.4	1.9	75				
JYPD2130/(1.7/1.2)	2130	2556	1.2	1.7	80				
JYPD2400/(1.5/1.1)	2400	2880	1.1	1.5	85				
JYPD2700/(1.3/1.0)	2700	3240	1	1.3	90				
JYPD3000/(1.2/0.8)	3000	3600	0.8	1.2	95				
JYPD3350/(1.0/0.7)	3350	4020	0.7	1	100				

Duplex or Triplex head is available.

# JYPT

Hydraulic  
Diaphragm Pump



## MAIN PARAMETER

- Flow range: 80-10200LPH@50Hz/96-12240LPH@60Hz
- Pressure range: 5-700 Bar
- Power: **3kw/4kw/11kw** 4 Pole Motor
- Material: SS304; SS316, other on request

## PARAMETER TABLE

Model	50Hz		60Hz		Pressure (MPa)			Piston Size Dia (mm)	Stroke Length (mm)	Connection
	Flow Rate (L/H)	Pump Speed (SPM)	Flow Rate (L/H)	Pump Speed (SPM)	3KW	4KW	11KW			
JYPT80/(70/56)	80	96	96	115	56	70	/	16	80	DN15 Flange (HG/T20615 TG)
JYPT132/(70/51/36)	130		156		36	51	70	20		
JYPT205/(48/33/24)	200		240		24	33	48	25		
JYPT302/(35/23/16)	300		360		16	23	35	30		
JYPT350/(30/20/14)	350		420		14	20	30	32		
JYPT450/(24/16/11)	450		540		11	16	24	36		
JYPT552/(20/13/9.5)	550		660		9.5	13	20	40		
JYPT705/(15/10/7.5)	705		846		7.5	10	15	45		
JYPT880/(12/8.2/6.0)	880		1056		6	8.2	12	50		
JYPT1060/(10/6.8/5.0)	1060		1272		5	6.8	10	55		
JYPT1260/(8.5/5.7/4.1)	1260		1512		4.1	5.7	8.5	60		
JYPT1400/(8.0/5.2/3.7)	1400		1680		3.7	5.2	8	63		
JYPT1500/(7.5/4.9/3.5)	1500		1800		3.5	4.9	7.5	65		
JYPT1720/(6.3/4.2/3.0)	1720		2064		3	4.2	6.3	70		
JYPT2000/(5.5/3.7/2.6)	2000	2400	2.6	3.7	5.5	75				
JYPT2265/(4.8/3.2/2.3)	2265	2718	2.3	3.2	4.8	80				
JYPT2550/(4.3/2.9/2.1)	2550	2550	2.1	2.9	4.3	85				
JYPT2870/(3.8/2.5/1.8)	2870	3444	1.8	2.5	3.8	90				
JYPT3200/(3.5/2.3/1.6)	3200	3840	1.6	2.3	3.5	95				
JYPT3580/(3.1/2.1/1.5)	3580	4296	1.5	2.1	3.1	100				
JYPT4300/(2.6/1.7/1.2)	4300	5160	1.2	1.7	2.6	110				
JYPT5150/(2.2/1.4/1.0)	5150	6180	1	1.4	2.2	120				
JYPT6000/(1.8/1.2/0.9)	6000	7200	0.9	1.2	1.8	130				
JYPT7000/(1.6/1.0/0.8)	7000	8400	0.8	1	1.6	140				
JYPT8050/(1.4/0.9/0.7)	8050	9660	0.7	0.9	1.4	150				
JYPT9100/(1.2/0.8/0.6)	9100	10920	0.6	0.8	1.2	160				
JYPT10200/(1.0/0.7/0.5)	10200	12240	0.5	0.7	1	170				

# Digital Metering Pump



## Summary

Digital metering pump innovative use of stepper motor vector drive, advanced MCU (micro control unit) and software program customization optimization, to achieve a wide range of accurate metering. Digital metering pump machine has simple structure, easy installation and maintenance, the fusion many kinds of intelligent design, manual/automatic, remote/local mode optional, combined with the flow, liquid level, pressure, time, security alarm monitoring and control, through the integrated microprocessor automatic operation and feedback, and support the Modbus RTU two-way communication protocols, Friendly man-machine interface system (HMI/LCD) makes operation more convenient.

## Technical parameter

Flow range: mechanical diaphragm Q<sub>max</sub>=4000L/H, plunger, hydraulic diaphragm Q<sub>max</sub>=45m<sup>3</sup>/H  
 Pressure range: mechanical diaphragm P<sub>max</sub>= 1.2mpa, plunger, hydraulic diaphragm P<sub>max</sub>=70Mpa  
 Electrical parameters: AC220/380V, single-phase/three-phase, 50/60Hz, optional explosion-proof  
 Flow end material: PVC, PVDF, 304/316L, 904, 2205, Ti, Hastelloy C, etc  
 Optional configuration: integrated monitoring and control of pressure and liquid level, double diaphragm safety protection, etc

## Features

Innovation-driven structure has excellent performance, precision and reliability  
 Measurement accuracy ±1%, flow regulation ratio 1000:1  
 Modular design, suitable for diaphragm, plunger, hydraulic diaphragm pump  
 Modular design, suitable for explosion-proof occasions  
 Support pressure, liquid level control, diaphragm rupture alarm  
 Support timing, quantitative, cyclic batch adding  
 Pulse, analog signal control, Modbus RTU bidirectional communication

## DM/JM series overview

DM series: HMI man-machine interface, can integrate pressure, liquid level, time module, high degree of automation  
 JM series: LCD+ button, simple operation, suitable for explosion-proof occasions, a wide range of applications

# Digital Metering Pump Performance Parameter

## DMA/JMA Parameter

Model	Flow L/h	Pressure Mpa	Diaphragm m	Power W	Connection		
					PVC	PVDF/PTFE*	304/316
DMA/JMA7.5/1.2	7.5	1.2	60	80	6*9 mm PE hose	6*9 mm PE hose	8*14 union for welding
DMA/JMA15/1.0	15	1.0					
DMA/JMA25/1.0	25						
DMA/JMA50/1.0	50						
DMA/JMA80/0.7	80	0.7	84	DN15 union	Rc1/2"F Thread	10*16 union for welding	
DMA/JMA100/0.7	100						
DMA/JMA120/0.7	120						
DMA/JMA150/0.5	150						
DMA/JMA200/0.3	200	0.3					

## DMB/JMB Parameter

Model	Flow L/h	Pressure Mpa	Diaphragm m	Power Kw	Connection		
					PVC	PVDF/PTFE*	304/316
DMB/JMB170/0.7	170	0.7	112	0.4	DN15 union	Rc3/4"F Thread	15x22 union for welding
DMB/JMB240/0.5	240	0.5					
DMB/JMB330/0.5	330	0.5					
DMB/JMB400/0.5	400	0.5			DN20 union		
DMB/JMB500/0.5	500	0.5					
DMB/JMB600/0.4	600	0.4			DN25 union	Rc1"F Thread	Rc1" F Thread

## DMC/JMC Parameter

Model	Flow L/h	Pressure Mpa	Diaphragm m	Power Kw	Connection		
					PVC	PVDF/PTFE*	304/316
DMC/JMC240/1.0	240	1.0	148	0.75	DN25 union	DN25 Flange	Rc1" F Thread
DMC/JMC320/1.0	320	1.0	148				
DMC/JMC500/1.0	500	1.0	148				
DMC/JMC680/0.7	680	0.7	148				
DMC/JMC760/0.5	760	0.5	148				
DMC/JMC1000/0.4	1000	0.4	148				
DMC/JMC1200/0.4	1200	0.4	185	1.1	DN40 union	DN40 Flange	Rc1½" F Thread
DMC/JMC1600/0.3	1600	0.3	185				
DMC/JMC2000/0.3	2000	0.3	185				

## DMCS/JMCS Parameter

Model	Flow L/h	Pressure Mpa	Diaphragm m	Power Kw	Connection		
					PVC	PVDF/PTFE*	304/316
DMCS/JMCS1360/0.7	1360	0.7	148	1.1	DN25 union	DN25 Flange	Rc1" F Thread
DMCS/JMCS1500/0.5	1500	0.5	148				
DMCS/JMCS2000/0.4	2000	0.4	148				
DMCS/JMCS2400/0.4	2400	0.4	185		DN40 union	DN40 Flange	Rc1½" F Thread
DMCS/JMCS3200/0.3	3200	0.3	185				
DMCS/JMCS4000/0.3	4000	0.3	185				

Note: \* is optional configuration.

# DM/JM Series Technical Parameter



			DM	JM
Mechanical Parameter	Max Flow@Pressur	[L/h Bar]	4000L/h @3Bar	4000L/h @3Bar
	Adjustment Scale		1000:1	1000:1
	Max Pressure	[Bar]	12Bar	12Bar
	Connection Size		DN6—DN40	DN6—DN40
	Head Material		PVDF/PVC/316/304	PVDF/PVC/316/304
	Diaphragm Material		Composite PTFE	Composite PTFE
	Max Suction height on working	[m]	6	6
	Max Suction height	[m]	2	2
	Max Viscosity	[mPa·s]	2000	2000
	Liquid Temperature Range	[°C]	-10 — 80	-10 — 80
	Ambient Temperature Range	[°C]	0 — 50	0 — 50
	Stability Accuracy	[%]	±1	±1
Repeatability Accuracy	[%]	±1	±1	
Electrical Parameter	Voltage	[VAC]	220V, 50/60Hz	220V, 50/60Hz
	Rated Power	[W]	80/400/750/1100	80/400/750/1100
	Cable Plug Type		Aviation plug*2	Aviation plug*2
	Protection Class		IP65	IP65
Control Parameter	Control box		HMI ( Touch Screen)	LCD+Key
	Run Mode		Remote / Local,Manual / Automatic	Remote / Local,Manual / Automatic
	Flow Calibration		Yes	Yes
	Analog Input and Output		4-20mA	4-20mA
	4-20mA revse		Yes	Yes
	4-20mA Linear Control		Yes	Yes
	Pulse Signal Input		Yes	Yes
	External Start-stop Control		Yes	Yes
	Timer Dosing		Yes	No
	Timed Periodic Dosing		Yes	No
	Quantitative Dosing		Yes	Yes
	Level Indication		Analog / Switch	No
	Low level Stop Pump, Alarm		Yes	No
	Pressure monitoring (min / max)		4-20mA	No
Communication Protocol		Modbus RTU	Modbus RTU	
Options	Liquid end - Modular		Mechanical Diaphragm / Plunger / Hydraulic Diaphragm	Mechanical Diaphragm / Plunger / Hydraulic Diaphragm
	Double Diaphragm		Yes	Yes
	Diaphragm Rupture Monitoring Alarm		Yes	Yes
	Explosion Proof - Modular		No	Yes

# JMP/JMYP

Plunger/Hydraulic Diaphragm Digital Metering Pump



## Summary

DM/JM series digital metering pump its digital control software and hardware adopts modular design, can be applied to the full series of mechanical diaphragm plunger hydraulic diaphragm metering pump products, and can meet the requirements of explosion-proof its mechanical structure is simple, convenient installation and maintenance, integration of a variety of intelligent design in one, a wide range of application JM series metering pump adopts large screen HD backlight LCD with key operation,DM series adopts touch HMI, the operation is more convenient, and on the basis of JM series can realize pressure level monitoring and alarm, can also realize the mode of timing cycle and other high-precision metering.

## Technicl Parameter

Flow range: plunger, hydraulic diaphragm Qmax=45m<sup>3</sup>/h  
 Pressure range: plunger Pmax=50Mpa, hydraulic diaphragm Pmax=70Mpa  
 Electrical parameters: AC220/380V, single-phase/three-phase, 50/60Hz, optional explosion-proof grade  
 Flow end material: 304/316L, PVDF, 904, 2205, TA, Hastelloy C, etc

## Features

Innovation-driven structure has excellent performance, precision and reliability  
 Material pump head optional: PVDF/PVC/316/304  
 Modular design, suitable for diaphragm, plunger, hydraulic diaphragm pump  
 Modular design, suitable for explosion-proof occasions  
 Stability accuracy and reproducibility accuracy are up to ±1%  
 Flow regulation ratio 1000:1, high linear accuracy of flow  
 Adjust analog signal 4-20mA input and output  
 Pulse signal control regulation  
 Manual/automatic, remote/local control mode  
 Flow calibration  
 External pressure and liquid level input control protection  
 Timing, quantitative add batch processing  
 Multiple universal serial ports, supporting Modbus RTU communication  
 Man-machine interface: touch screen HMI/ backlit HD LCD  
 Modular design, suitable for diaphragm, plunger, hydraulic diaphragm pump  
 Modular design, suitable for explosion-proof occasions

# Metering Pump Stroke Controller



## Metering Pump Stroke Controller

Metering pump stroke controller can achieve 0-100% manual/automatic metering pump stroke length locally/remotely, through the percentage of manual input or received control signal, automatically adjust the stroke position to adjust the metering pump stroke length, and finally adjust the metering pump output flow, to achieve the purpose of automatic control. Stroke controller with local percentage and analog flow (based on calibrated flow conversion) display, control adjustment and maintenance is easy.

### Main Advantages

- Adjustment range: 0-100%
- No external auxiliary control equipment is required
- Automatic stroke adjustment does not affect pump pulse
- High adjustment precision, and provide flow calibration function
- Highly integrated, saving operation and maintenance costs
- Automatic and manual mode conversion can be realized
- Automatic position feedback after adjustment
- Stroke position automatically locks in case of unexpected power failure
- Large LCD - Set percentage, actual percentage, analog flow display
- Modular design, suitable for the full range of metering pump products

### Technical Parameters

- Rated voltage: AC220V±10%, 50/60Hz
- Power: 25 w
- Hold torque: 9Nm
- Adjusting speed: 0-100% (10 laps -100sec)
- Control signal: 4-20mA
- Feedback signal: 4-20mA
- Large SCREEN LCD: Set percentage, actual percentage, simulated flow
- Output accuracy: ±0.5%F.S
- Flow value display accuracy :± 1.5% (100% at full scale)
- Protection level: IP65
- Insulation grade: F
- Operating temperature : -20 -- 50 °C
- Relative humidity: 90% (at 25 °C)
- Weight: 3.5 Kg

# Diaphragm Metering Pump Series



## Summary

The hydraulic double-diaphragm metering pump adds a layer of diaphragm on the basis of the hydraulic diaphragm-type metering pump, and is monitored by sensors or instruments to prevent accidents caused by the rupture of the single-layer diaphragm. It is equipped with a diaphragm rupture monitoring and alarm system, which improves the use of the pump safety. The maximum flow of a single head is less than or equal to 10200L/H, and the maximum pressure is less than or equal to 70MPa.

### Features

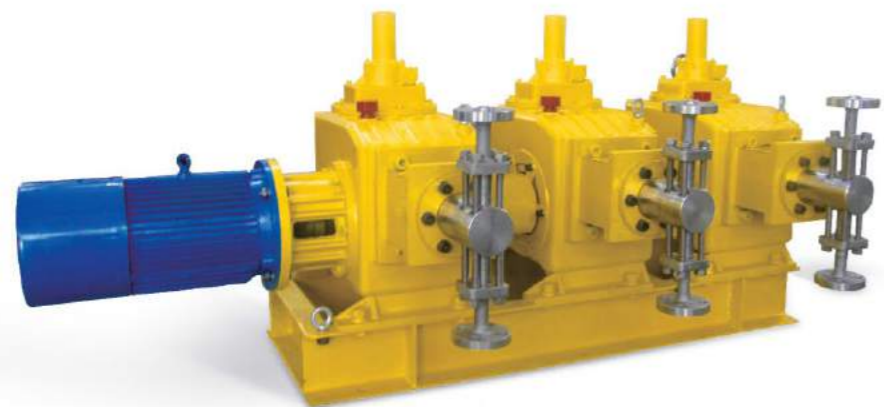
The liquid end is sealed with double-layer diaphragm, which has no leakage and higher safety. The double-layer diaphragm is vacuum-fitted in normal operation, and the measurement accuracy is high. Once the diaphragm is ruptured, the sensor can detect it within 0.2S and feed back a signal, the metering pump's own control system immediately stops the metering pump and sends out an audible and visual alarm, which effectively protects the safety of use. According to the user's needs, the corresponding signal can also be sent to the central control room, and it will be alarmed and repaired at the first time. Usually PTFE diaphragm is used, which has excellent corrosion resistance and temperature resistance. The pump has a built-in overload valve to automatically release pressure to protect the pump, but it cannot be used for a long time. The flow/pressure has a wide range of applications, and can be applied to special media such as high and low temperature, high viscosity, corrosiveness, solid content, flammable and explosive, highly toxic, malodorous, and radioactive. It can be double-headed or multi-headed in parallel to increase the flow and reduce the pulse, and it can also transport a variety of media at the same time as a proportional pump. Optional Ligao metering pump stroke controller to achieve a wider range of automatic control.

### Ligao Advantage

The pump has its own control system, monitoring sensor, sound and light alarm, fast response time and higher safety, which is better than the local display instrument. The patented integral adjustable eccentric mechanism is efficient and reliable, the stroke can be adjusted steplessly from 0 to 100%, and the stability accuracy, repeatability accuracy and linearity accuracy of the metering pump can reach ±1%. Single-layer or multi-layer metal diaphragms can be used, and the maximum pressure can reach 70MPa. Diversified and high-precision check valve components (ball type, stack valve type, angle valve type, etc.), and the wearing parts valve seat can be used on both sides, reducing the cost of use and improving the maintenance efficiency.



# MULTIPLE HEADS PUMPS ON REQUEST



# PUMP ACCESSORIES



SAFETY VALVE



BACK PRESSURE VALVE



PULSE DAMPER



FOOT FILTER



NON-RETURN VALVE



CALIBRATION COLUMN

# PACKAGED DOSING SYSTEM









**LIGAO PACKAGED DOSING SYSTEM** is customized system that is ready mounted and ready for use. The standard system is with dosing pumps, piping, storage tank, and other instruments required. The system is usually supplied with a platform skid, sometimes with a ladder. All these dosing skids are designed responding to individual needs and configured in-house. We have gained a lot of experience on packaged dosing system design and manufacturing.



## FEATURES AND BENEFITS:

1. All systems are mounted on the skid, easy and simple for installation.
2. Compact design, minimal space required.
3. Control cabinet can achieve local manual adjustment and automatic dosing. All the electrical, instrumentation are concentrated in the electrical cabinet assembly, compact, safe and convenient operation.
4. Easy operation, easy maintenance.
5. Accurate and stable dosing with wide dosing range.

# AIR DIAPHRAGM PUMP LIST

Model	Product	Specification	Maximum Flow	Maximum Working Pressure	Size of Liquid Inlet And Outlet	Material	Maximum Transported Solid Granule
JQ06		1/4 inch Standard Type Plastic Pump Series	4.5gpm (17lpm)	100psi (7.0 bar)	1/4" Inlet And Outlet	Conductive Acetal PPK ynar (PVDF)	0.02 in. (0.5mm)
JQ10		3/8 inch Plastic Pump Series	7gpm (26.5lpm)	100psi (7.0 bar)	3/8" Inlet And Outlet Lined with Stainless Steel Reinforcing Sleeve	Conductive Acetal	1/16 in. (1.6mm)
JQ15		1/2 inch Standard Type Plastic Pump Series	13.2gpm (50lpm)	100psi (7.0 bar)	1/2" Side Inlet 3/4" Outlet Inlet And Outlet	Conductive Acetal Kynar (PVDF)	3/32 in. (2.5mm)
JQ15		1/2 inch Standard Type Metal Pump Series	13.2gpm (50lpm)	100psi (7.0 bar)	3/4" Outlet Inlet And Outlet	316 Stainless Steel 304 Stainless Steel Aluminum Alloy	3/32 in. (2.5mm)
JQ20		1/2 inch Standard Type Plastic Pump Series	13.2gpm (50lpm)	100psi (7.0 bar)	1/2" Side Inlet 3/4" Outlet Inlet And Outlet	Conductive Acetal Kynar (PVDF)	3/32 in. (2.5mm)
JQ25		1 inch Standard Type Plastic Pump Series	40gpm (150lpm)	100psi (7.0 bar)	3/4" Inlet And Outlet	Conductive Acetal Kynar (PVDF)	0.16 in. (4mm)
JQ25		1 inch Metal Pump Series	40gpm (150lpm)	100psi (7.0 bar)	1" Inlet And Outlet	Aluminum Alloy Ductile Iron 304/316	0.16 in. (4mm)
JQ40		1.5 inch Plastic Pump Series	90gpm (340lpm)	100psi (7.0 bar)	1.5" Inlet And Outlet	Conductive Acetal Kynar (PVDF)	0.2 in. (5mm)
JQ40		1.5 inch Metal Pump Series	90gpm (340lpm)	100psi (7.0 bar)	1.5" Inlet And Outlet	Aluminum Alloy Stainless Steel Ductile Iron	0.2 in. (5mm)
JQ40		1.5 inch Metal Pump Series	90gpm (340lpm)	100psi (7.0 bar)	1.5" Inlet And Outlet	Aluminum Alloy Stainless Steel Ductile Iron	0.2 in. (5mm)
JQ50		2 inch Plastic Pump Series	150gpm (570lpm)	100psi (7.0 bar)	2" Flange Type Inlet And Outlet	Kynar (PVDF)	0.24 in. (6mm)
JQ50		2 inch Metal Pump Series	150gpm (570lpm)	100psi (7.0 bar)	2" Inlet And Outlet	Aluminum Alloy Stainless Steel Ductile Iron	0.24 in. (6mm)
JQ80		3 inch Plastic Pump Series	265gpm (1041lpm)	100psi (7.0 bar)	3" Flange Type Inlet And Outlet	Aluminum Alloy	0.26 in. (10mm)
JQ80		3 inch Metal Pump Series	265gpm (1041lpm)	100psi (7.0 bar)	3" Flange Type Inlet And Outlet	Stainless Steel	0.26 in. (10mm)