



ZHEJIANG LIGAO PUMP TECHNOLOGY CO., LTD.

**ADD:** NO.227, HUI SHU ROAD, LINHAI CITY, ZHEJIANG PROVINCE, CHINA

**TEL:** +86-576-85289780

**FAX:** +86-576-85668297

**EMAIL:** SALES@LIGAOPUMPS.COM

**WEB:** WWW.LIGAOPUMPS.COM

PRODUCTS ARE SUBJECT TO CHANGE WITHOUT PRIOR NOTICE.



2022-1-EN



## METERING PUMP

SELECTION BROCHURE

TRUSTWORTHY PUMP  
MADE BY LIGAO



LIGAO STYLE

## COMPANY PROFILE

Zhejiang Ligao Pump Technology Co.,Ltd. was established in 2003, which is located in Linhai city, Zhejiang Province. It is a national high-tech enterprise specializing in development, production and sales of metering pumps, rotary lobe pumps, packaged dosing systems, air diaphragm pumps and other pump accessories. Our metering pumps cover solenoid diaphragm metering pump, mechanical diaphragm metering pumps, plunger metering pump, hydraulic diaphragm metering pump. Our pumps are widely used in different fields: water treatment, chemical processing, petrochemical industry, food industry, water plants, pharmaceutical industry, and so on.

We have obtained more than 30 patents, including invention patents and utility patents. Our company and products are certified by ISO 9001, ISO 14001, OHSAS 18001, CE and so on.



The company has more than 150 units advanced machining equipments, and more than 20 advanced test equipments. With more than a decade development, our products have been sold worldwide more than 50 countries, such as South Korea, Thailand, Indonesia, Sweden, USA, and so on.

We sincerely hope we can establish long-term cooperation with you.



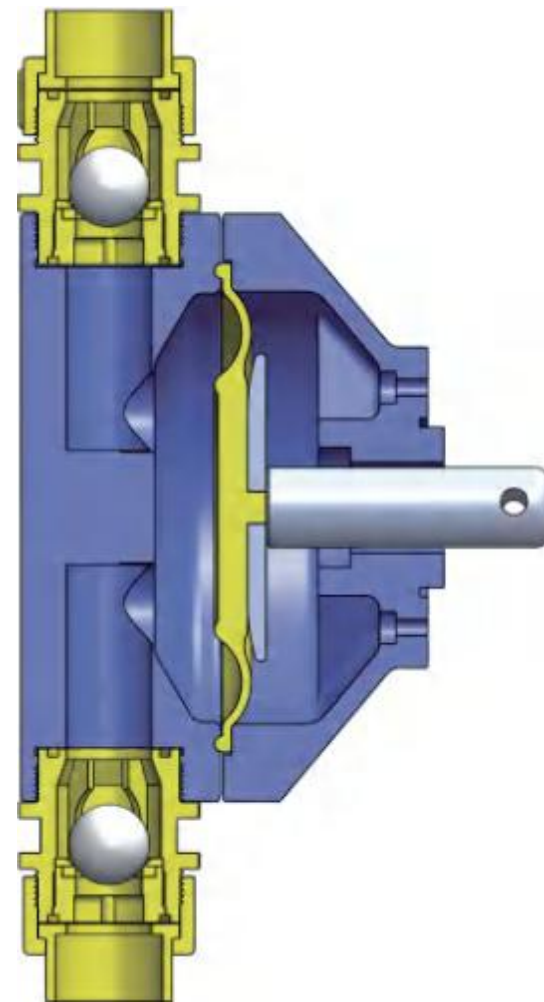
# MECHANICAL DIAPHRAGM METERING PUMP

## DEFINITION

The diaphragm type metering pump uses a diaphragm to replace the piston, realizes reciprocating motion under the action of the driving mechanism, and completes the pump for the suction and discharge processes.

## FEATURES

- No moving seal, no leakage.
- It can transport high viscosity media, abrasive pastes and hazardous chemicals.
- Cast aluminum housing, high heat dissipation and light overall weight.
- The diaphragm is pressed into a multi-layer composite structure, the first layer of super tough Teflon acid-resistant film, the second layer of EPDM elastic rubber, the third layer of thickness 3mm SUS304 supporting iron core, the fourth layer is reinforced with nylon fiber reinforcement, the fifth layer it is fully packaged with EPDM elastic rubber, which can effectively improve the service life of the diaphragm.
- The pressure is generally less than 1.2Mpa.



## PUMP HEAD CONFIGURATION ACCORDING TO DIFFERENT APPLICATIONS



PVC



SS304/316



PVDF/PTFE

# JLM

Solenoid Metering Pump

## PRODUCT CHARACTERISTICS

- Wear-free solenoid driving with no bearing.
- Adjustment both by stroke length and stroke speed.
- Intelligent LED display the stroke speed in percentage.
- **Power:** 110/ 220V 50~60Hz.
- **Material:** PVC; PVDF; SS304; SS316



## PARAMETER TABLE

Model	Flow (LPH)	pressure (BAR)	Flow (GPH)	pressure (PSI)	SPM	Diaphragm (mm)	Power (W)	Connection
JLM0110	1.0	10	0.26	145	80	34	28	5*8mm PE hose
JLM0210	2.0	10	0.52	145	140			
JLM0408	4.0	8.0	1.0	116	180			
JLM0505	5.0	5.0	1.3	73	140	41		
JLM0804	8.0	4.0	2.1	58	170			
JLM1003	10	3.0	2.6	44	130	52		
JLM1203	12	3.0	3.1	44	150			
JLM1502	15	2.0	3.9	29	160			
JLM2001	20	1.0	5.2	15	180			

## MATERIAL CONSTRUCTION

Material	PVC	PVDF	SS304	SS316
Diaphragm	PTFE	PTFE	PTFE	PTFE
Valve Body	PVC	PVDF	SS304	SS316
Valve Ball	Ceramic	Ceramic	Ceramic	Ceramic
Valve Seat	PTFE	PTFE	SS304	SS316
O Ring	Viton	Viton	PTFE	PTFE

# JLM-P

Solenoid  
Metering Pump

## PRODUCT CHARACTERISTICS

- Wear-free solenoid driving with no bearing.
- Adjustment both by stroke length and stroke speed.
- Intelligent LED display the stroke speed in percentage.
- **Power:** 110/ 220V 50~60Hz.
- **Material:** PVC; PVDF; SS304; SS316
- **Signal functions:** 4-20mA signal or impulse signal



## PARAMETER TABLE

Model	Flow (LPH)	pressure (BAR)	Flow (GPH)	pressure (PSI)	SPM	Diaphragm (mm)	Power (W)	Connection
JLM-P0110	1.0	10	0.26	145	80	34	28	5*8mm PE hose
JLM-P0210	2.0	10	0.52	145	140			
JLM-P0408	4.0	8.0	1.0	116	180			
JLM-P0505	5.0	5.0	1.3	73	140	41		
JLM-P0804	8.0	4.0	2.1	58	170	52		
JLM-P1003	10	3.0	2.6	44	130			
JLM-P1203	12	3.0	3.1	44	150			
JLM-P1502	15	2.0	3.9	29	160	52		
JLM-P2001	20	1.0	5.2	15	180			

## MATERIAL CONSTRUCTION

Material	PVC	PVDF	SS304	SS316
Diaphragm	PTFE	PTFE	PTFE	PTFE
Valve Body	PVC	PVDF	SS304	SS316
Valve Ball	Ceramic	Ceramic	Ceramic	Ceramic
Valve Seat	PTFE	PTFE	SS304	SS316
O Ring	Viton	Viton	PTFE	PTFE

# JLM-S

Solenoid  
Metering Pump

## PRODUCT CHARACTERISTICS

- Flow manually controlled by stroke speed.
- Big LCD screen display instant flow and accumulated flow.
- **Power:** 110/ 220V 50~60Hz.
- **Material:** PVC; PVDF; SS304; SS316
- **Signal functions:** 4-20mA signal , impulse signal, RS485



## PARAMETER TABLE

Model	Flow (LPH)	pressure (BAR)	Flow (GPH)	pressure (PSI)	SPM	Diaphragm (mm)	Power (W)	Connection
JLM-S0110	1.0	10	0.26	145	80	34	28	5*8mm PE hose
JLM-S0210	2.0	10	0.52	145	140			
JLM-S0408	4.0	8.0	1.0	116	180			
JLM-S0505	5.0	5.0	1.3	73	140	41		
JLM-S0804	8.0	4.0	2.1	58	170	52		
JLM-S1003	10	3.0	2.6	44	130			
JLM-S1203	12	3.0	3.1	44	150			
JLM-S1502	15	2.0	3.9	29	160	52		
JLM-S2001	20	1.0	5.2	15	180			

## MATERIAL CONSTRUCTION

Material	PVC	PVDF	SS304	SS316
Diaphragm	PTFE	PTFE	PTFE	PTFE
Valve Body	PVC	PVDF	SS304	SS316
Valve Ball	Ceramic	Ceramic	Ceramic	Ceramic
Valve Seat	PTFE	PTFE	SS304	SS316
O Ring	Viton	Viton	PTFE	PTFE

# JBB

Mechanical Diaphragm Metering Pump



## MAIN PARAMETER

- **Flow range:** 15-150LPH@50Hz/18-180LPH@60Hz
- **Pressure range:** 4-10 Bar
- **Power:** 380V/220V @50Hz on standard, others on request,  
DC12V or 24V is available
- **Material:** PVC; PVDF; SS304; SS316; PTFE

## PARAMETER TABLE

Model	50Hz			60Hz			pressure		Diaphragm (mm)	Power
	Flow (LPH)	Flow (GPH)	SPM	Flow (GPH)	Flow (LPH)	SPM	BAR	PSI		
JBB15/1.0	15	3.9	100	4.7	18	120	10	145	65	60W
JBB25/1.0	25	6.6		7.9	30		10	145		
JBB40/0.7	40	10		150	12		48	180		
JBB60/0.6	60	60	100	19	72	120	6	87	84	
JBB80/0.5	80	21		25	96		5	73		
JBB100/0.4	100	26	150	32	120	180	4	58	95	
JBB130/0.4	130	34		41	156		4	58		
JBB150/0.3	150	39		47	180		3	43		

## CONNECTION

Model	PVC	PVDF/PTFE	SS304/316
JBB15-JBB40	6*9 mm hose	RC1/2" F	10*16mm welding union
JBB60-JBB150	DN15 glue union	RC1/2" F	

10\*14mm hose connection is also optional for JBB60-JBB150.

# KD

Mechanical Diaphragm Metering Pump



## MAIN PARAMETER

- **Flow range:** 15-180LPH@50Hz/18-216LPH@60Hz
- **Pressure range:** 5-8 Bar
- **Power:** 380V@50Hz on standard, others on request
- **Material:** PVC; PVDF; SS304; SS316; PTFE

## PARAMETER TABLE

Model	50Hz			60Hz			pressure		Diaphragm (mm)	Power
	Flow (LPH)	Flow (GPH)	SPM	Flow (GPH)	Flow (LPH)	SPM	BAR	PSI		
KD15/0.8	15	3.9	48	4.7	18	58	8	116	65	180W
KD20/0.8	20	5.2		6	24		8	116		
KD40/0.8	40	10.5		96	12		48	115		
KD60/0.6	60	15.7	48	18	72	58	6	87	95	
KD80/0.6	80	21		25	96		6	87		
KD120/0.5	120	31.5	96	37	144	115	5	73	172	
KD180/0.5	180	47.3		144	56		216	5		

## CONNECTION

Model	PVC	PVDF/PTFE	SS304/316
KD15-KD40	6*9 mm PE hose	RC1/2" F	10*16mm welding union
KD60-KD180	DN15 glue union	RC1/2" F	



## MAIN PARAMETER

- **Flow range:** 10-500LPH@50Hz/12-600LPH@60Hz
- **Pressure range:** 5-12 Bar
- **Power:** 380V@50Hz on standard, others on request
- **Material:** PVC; PVDF; SS304; SS316; PTFE



## PARAMETER TABLE

Model	50Hz			60Hz			pressure		Diaphragm (mm)	Power
	Flow (LPH)	Flow (GPH)	SPM	Flow (GPH)	Flow (LPH)	SPM	BAR	PSI		
GM10/1.2	10	2.6	48	3.1	12	58	12	174	65	0.37KW
GM25/1.0	25	6.6		7.9	30		10	145		
GM50/1.0	50	13		16	60		10	145		
GM90/0.7	90	23	48	28	108	58	7	102	112	
GM120/0.7	120	32		38	144		7	102		
GM170/0.7	170	45	96	54	204	115	7	102	112	
GM240/0.5	240	63		76	288		5	73		
GM330/0.5	330	86	144	104	396	173	5	73	185	
GM400/0.5	400	105		126	480		5	73		
GM500/0.5	500	131		157	600		5	73		

## CONNECTION

Model	PVC	PVDF/PTFE	SS304/316
GM10-GM25	6*9 mm PE hose	RC1/2" F	10*16mm welding union
GM50-GM120	DN15 glue union	RC1/2" F	10*16mm welding union
GM170-GM330	DN15 glue union	RC3/4" F	15*22mm welding union
GM400-GM500	DN20 glue union	RC3/4" F	15*22mm welding union

## MAIN PARAMETER

- **Flow range:** 240-1800LPH@50Hz/288-2160LPH@60Hz
- **Pressure range:** 3-10 Bar
- **Power:** 380V@50Hz on standard, others on request
- **Material:** PVC; PVDF; SS304; SS316; PTFE



## PARAMETER TABLE

Model	50Hz			60Hz			pressure		Diaphragm (mm)	Power
	Flow (LPH)	Flow (GPH)	SPM	Flow (GPH)	Flow (LPH)	SPM	BAR	PSI		
GB240/1.0	240	63	48	75	288	58	10	145	148	0.75KW
GB320/1.0	320	84		101	384		10	145		
GB500/1.0	500	131	96	157	600	115	10	145		
GB680/0.7	680	179		214	816		7	102		
GB760/0.5	760	200	144	240	912	173	5	73	185	
GB1000/0.4	1000	264		315	1200		4	58		
GB1200/0.4	1200	315	96	379	1440	115	4	58	185	1.1KW
GB1600/0.3	1600	421	144	505	1920	173	3	44		
GB1800/0.3	1800	476		571	2160		3	44		

## CONNECTION

Model	PVC	PVDF	PTFE	SS304/316
GB240-GB1000	DN25 glue union	DN25 PVC Flange	DN25 PVC Flange	RC 1" F
GB1200-GB1800	DN40 glue union	DN40 PVC Flange	DN40 PVC Flange	RC 1.5" F

# GB-S

Mechanical Diaphragm  
Metering Pump



## MAIN PARAMETER

- **Flow range:** 1360-3600LPH@50Hz/1632-4320LPH@60Hz
- **Pressure range:** 3-5 Bar
- **Power:** 380V@50Hz on standard, others on request
- **Material:** PVC; PVDF; SS304; SS316; PTFE

## PARAMETER TABLE

Model	50Hz			60Hz			pressure		Diaphragm (mm)	Power
	Flow (LPH)	Flow (GPH)	SPM	Flow (GPH)	Flow (LPH)	SPM	BAR	PSI		
GB-S1360/0.7	1360	357	96	429	1632	115	7	102	148	1.1KW
GB-S1500/0.5	1500	394	144	473	1800	173	5	73		
GB-S2000/0.4	2000	528		634	2400		4	58		
GB-S2400/0.4	2400	631	96	757	2880	115	4	58	185	
GB-S3200/0.3	3200	842	144	1010	3840	173	3	44		
GB-S3600/0.3	3600	951		1141	4320		3	44		

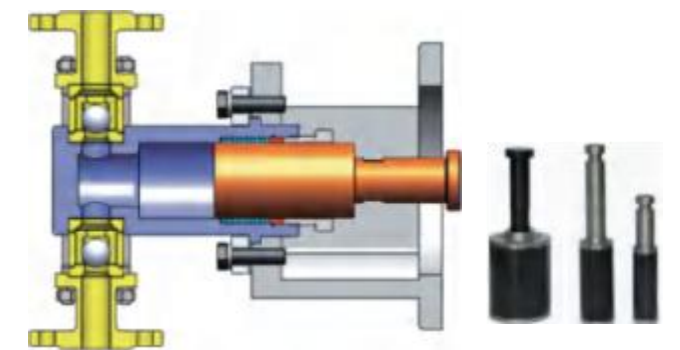
## CONNECTION

Model	PVC	PVDF	PTFE	SS304/316
GB-S1360~2000	DN25 glue union	RC 1" F	DN25 PVC Flange	RC 1" F
GB-S2800~3600	DN40 glue union	RC 1.5" F	DN40 PVC Flange	RC 1.5" F

# PLUNGER TYPE METERING PUMP

## DEFINITION

A pump that periodically changes the volume of the working chamber by the reciprocating straight line of the plunger.



## MAIN FEATURES

- High pressure, up to 50Mpa
- High accuracy, the precision error within 1%
- For high viscosity, up to 2000cps
- Plunger made of ceramic or SS316 coated with ceramic
- Heat jacket or cooling jacket is available
- All model can be equipped with auto stroke controller

## APPLICATIONS

Widely used in chemical, petroleum, metallurgy, electric power, medicine, food, plastic foam and other fields. It is especially popular in processes that deliver high viscosity, high pressure, and high temperatures.

## MATERIAL OPTIONS

Wetted Parts: Standard material is SS304 or SS316, other materials on request  
Gear Box: Casting

# JPX

Plunger  
Metering Pump

## MAIN PARAMETER

- Flow range: 1-230LPH@50Hz/1.2-276LPH@60Hz
- Pressure range: 1-400 Bar
- Power: **0.37kw** IEC71 4 pole Motor
- Material: SS304; SS316, others on request



## PARAMETER TABLE

Model	50Hz		60Hz		pressure (MPa)	Piston Size		Stroke Length (mm)	Motor Power (KW)	Connection
	Flow Rate (L/H)	PUMP Speed (SPM)	Flow Rate (L/H)	Pump Speed (SPM)		Dia (mm)	Stroke Length (mm)			
JPX1/40	1	96	1.2	115	40	6	20	0.37	DN6 union for welding	
JPX2/40	2		2.4		40	6				
JPX4/33	4		4.8		33	8				
JPX8/21	8		9.6		21	10				
JPX11/14	11		13		14	12				
JPX20/8	20		24		8	16				
JPX33/5	33		40		5	20				
JPX52/3.3	52		62		3.3	25				
JPX65/2.6	65		78		2.6	28				
JPX88/2.0	88		106		2.0	32				
JPX105/1.7	105		126		1.7	35				
JPX125/1.4	125		150		1.4	38				
JPX155/1.1	155		186		1.1	42				
JPX190/1.0	190		228		1.0	38				
JPX230/0.8	230		276		0.8	42				
			144		173					
									DN15 union for welding	

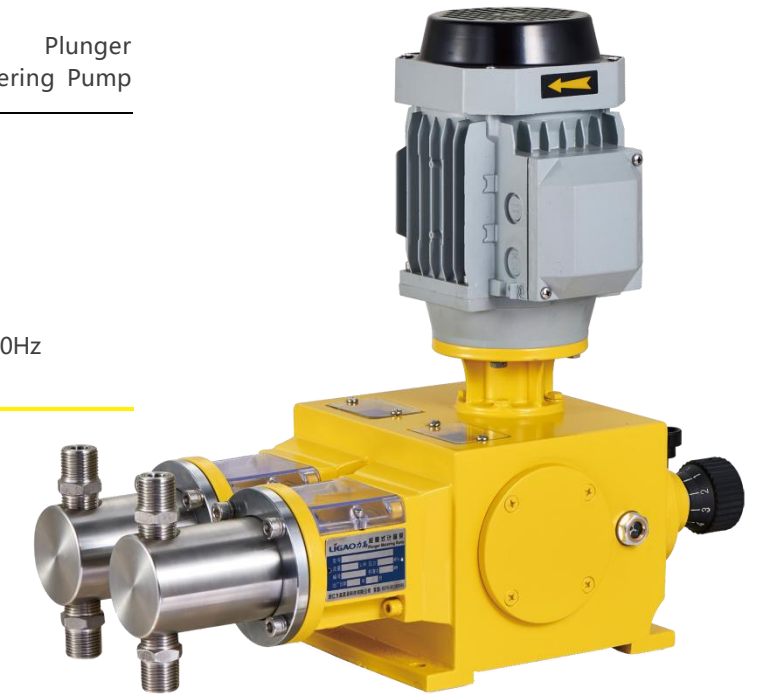
Duplex or Triplex head is available.

# 2TJPX

Plunger  
Metering Pump

## MAIN PARAMETER

- Flow range: 4-450LPH@50Hz/4.8-540LPH@60Hz
- Pressure range: 1-400 Bar
- Power: **0.37kw** IEC71 4 pole Motor
- Material: SS304; SS316, others on request



## PARAMETER TABLE

Model	50Hz		60Hz		Pressure (MPa)	Piston Size		Stroke Length (mm)	Motor Power (KW)	Connection			
	Flow Rate (L/H)	Pump Speed (SPM)	Flow Rate (L/H)	Pump Speed (SPM)		Dia (mm)	Stroke Length (mm)						
2TJPX4/40	4	96	4.8	115	40	6	20	0.37	DN6 union for welding				
2TJPX8/26	8		9.6		26	8							
2TJPX16/14	16		19		14	10							
2TJPX22/10	22		26		10	12							
2TJPX40/5.4	40		48		5.4	16							
2TJPX60/3.5	60		72		3.5	20							
2TJPX100/2.2	100		120		2.2	25							
2TJPX130/1.7	130		156		1.7	28							
2TJPX170/1.3	170		204		1.3	32							
2TJPX200/1.0	200		240		1.0	35							
2TJPX250/0.8	250		300		0.8	38							
2TJPX300/0.6	300		360		0.6	42							
2TJPX380/0.6	380		456		0.6	38							
2TJPX450/0.5	450		540		0.5	42							
			144		173								DN8 union for welding
													DN10 union for welding
									DN15 union for welding				



# JPZ

Plunger  
Metering Pump

## MAIN PARAMETER

- **Flow range:** 5-820LPH@50Hz/6-948LPH@60Hz
- **Pressure range:** 5-500 Bar
- **Power:** 0.75kw IEC80 4 pole Motor
- **Material:** SS304; SS316, others on request



## PARAMETER TABLE

Model	50Hz		60Hz		pressure (MPa)	Piston Size Dia (mm)	Stroke Length (mm)	Motor Power (KW)	Connection
	Flow Rate (L/H)	Pump Speed (SPM)	Flow Rate (L/H)	Pump Speed (SPM)					
JPZ5/50	5	96	6	115	50	8	25	0.75	DN6 union for welding
JPZ9/44	9		10		44	10			
JPZ14/30	14		16.8		30	12			
JPZ26/17	26		31		17	16			
JPZ42/10	42		50		10	20			
JPZ66/7	66		79		7	25			
JPZ85/5.5	85		102		5.5	28			
JPZ110/4.0	110		132		4	32			
JPZ135/3.3	135		162		3.3	35			
JPZ160/2.8	160		192		2.8	38			
JPZ200/2.3	200		240		2.3	42			
JPZ225/2.0	225		270		2	45			
JPZ280/1.7	280		336		1.7	50			
JPZ335/1.3	335		402		1.3	55			
JPZ400/1.1	400		480		1.1	60			
JPZ470/0.9	470	564	0.9	65					
JPZ550/0.8	550	660	0.8	70					
JPZ600/0.7	600	720	0.7	60					
JPZ700/0.6	700	840	0.6	65					
JPZ820/0.5	820	984	0.5	70					
		144		173					DN10 union for welding
									DN15 union for welding
									DN25 Flange (HG/T20592 RF)

Duplex or Triplex head is available.

# JPR

Plunger  
Metering Pump

## MAIN PARAMETER

- **Flow range:** 18-1620LPH@50Hz/22-1944LPH@60Hz
- **Pressure range:** 7-500 Bar
- **Power:** 1.5kw IEC90 4 pole Motor
- **Material:** SS304; SS316, others on request



## PARAMETER TABLE

Model	50Hz		60Hz		Pressure (MPa)	Piston Size Dia (mm)	Stroke Length (mm)	Motor Power (KW)	Connection
	Flow Rate (L/H)	Pump Speed (SPM)	Flow Rate (L/H)	Pump Speed (SPM)					
JPR18/50	18	96	22	115	50	12	30	1.5	DN10 union for welding
JPR30/28	30		36		28	16			
JPR50/18	50		60		18	20			
JPR80/11	80		96		11	25			
JPR100/9	100		120		9	28			
JPR135/7	135		162		7	32			
JPR160/5.8	160		192		5.8	35			
JPR190/5.0	190		228		5.0	38			
JPR230/4.0	230		276		4.0	42			
JPR265/3.5	265		318		3.5	45			
JPR330/2.9	330		396		2.9	50			
JPR400/2.3	400		480		2.3	55			
JPR480/2.0	480		576		2.0	60			
JPR560/1.7	560		672		1.7	65			
JPR650/1.5	655		900		1.6	70			
JPR750/1.3	750	900	1.3	75					
JPR850/1.1	850	1020	1.1	80					
JPR960/0.9	960	1152	0.9	85					
JPR1080/0.8	1080	1296	0.8	90					
JPR1280/0.8	1280	1536	0.8	80					
JPR1450/0.7	1450	1740	0.7	85					
JPR1620/0.6	1620	1944	0.6	90					
		144		173					DN15 union for welding
									DN25 Flange (HG/T20592 RF)
									DN40 Flange (HG/T20592 RF)

Duplex or Triplex head is available.



## MAIN PARAMETER

- **Flow range:** 28-3720LPH@50Hz/33-4464LPH@60Hz
- **Pressure range:** 5-500 Bar
- **Power:** 3kw/4KW 4 pole Motor
- **Material:** SS304; SS316, others on request

## PARAMETER TABLE

Model	50Hz		60Hz		Pressure(MPa)		Piston Size Dia (mm)	Stroke Length (mm)	Connection
	Flow Rate (L/H)	Pump Speed (SPM)	Flow Rate (L/H)	Pump Speed (SPM)	3KW	4KW			
JPD28/50	28	96	33	115	50	/	12	50	DN10 union for welding
JPD53/(40/50)	53		63		40	50	16		
JPD85/(25/35))	85		102		25	35	20		
JPD135/(16/22)	135		162		16	22	25		
JPD170/(12/17)	170		204		12	17	28		
JPD220/(9/13)	220		264		9	13	32		
JPD320/(6.8/9)	320		384		6.8	9	38		
JPD390/(5.6/8)	390		468		5.6	8	42		
JPD450/(4.8/7)	450		540		4.8	7	45		
JPD550/(4/5.6)	550		660		4	5.6	50		
JPD670/(3.4/4.7)	670		804		3.4	4.7	55		
JPD800/(2.8/4)	800		960		2.8	4	60		
JPD940/(2.3/3.3)	940		1128		2.3	3.3	65		
JPD1100/(2/2.8)	1100		1320		2	2.8	70		
JPD1250/(1.8/2.5)	1250		1500		1.8	2.5	75		
JPD1430/(1.6/2.2)	1430		1716		1.6	2.2	80		
JPD1620/(1.4/2)	1620		1944		1.4	2	85		
JPD1820/(1.2/1.7)	1820		2184		1.2	1.7	90		
JPD2010/(1.1/1.5)	2010		2412		1.1	1.5	95		
JPD2250/(0.9/1.3)	2250		2700		0.9	1.3	100		
JPD2480/(0.8/1.1)	2480	2976	0.8	1.1	105				
JPD2720/(0.8/1)	2720	3264	0.8	1	90				
JPD3050/(0.7/0.9)	3050	3660	0.7	0.9	95				
JPD3380/(0.6/0.8)	3380	4056	0.6	0.8	100				
JPD3720/(0.5/0.7)	3720	4464	0.5	0.7	105				



## MAIN PARAMETER

- **Flow range:** 50-16000LPH@50Hz/60-19200LPH@60Hz
- **Pressure range:** 3-500 Bar
- **Power:** 5.5kw/7.5kw/11kw/15kw 4 pole Motor
- **Material:** SS304; SS316, others on request

## PARAMETER TABLE

Model	50Hz		60Hz		Pressure (MPa)				Piston Size Dia (mm)	Stroke Length (mm)	Connection
	Flow Rate (L/H)	Pump Speed (SPM)	Flow Rate (L/H)	Pump Speed (SPM)	5.5KW	7.5K W	11K W	15K W			
JPG100/50	50	96	60	115	50	/	/	/	20	60	DN15 Flange (HG/T20615 TG)
JPG150/(30/43/50)	150		180		30	43	50	/	25		
JPG200/(25/34/50)	200		240		25	34	50	/	28		
JPG260/(19/26/40/50)	260		312		19	26	40	50	32		
JPG370/(14/18/28/36)	370		444		14	18	28	36	38		
JPG460/(11/15/23/30)	460		552		11	15	23	30	42		
JPG660/(8/10/16/21)	600		720		8	10	16	21	50		
JPG800/(6.5/9/13/18)	800		960		6.5	9	13	18	55		
JPG950/(5.3/7.5/11/14.5)	950		1140		5.3	7.5	11	14.5	60		
JPG1110/(4.5/6.2/9.5/12)	1100		1320		4.5	6.2	9.5	12	65		
JPG1300/(4/5.5/8.3/10.5)	1300		1560		4	5.5	8.3	10.5	70		
JPG1500/(3.5/4.6/7.2/9.3)	1500		1800		3.5	4.6	7.2	9.3	75		
JPG1680/(3/4.2/6.3/8.2)	1680		2016		3	4.2	6.3	8.2	80		
JPG1880/(2.7/3.7/5.5/7.4)	1880		2256		2.7	3.7	5.5	7.4	85		
JPG2150/(2.4/3.3/5/6.5)	2150		2580		2.4	3.3	5	6.5	90		
JPG2400/(2.1/3/4.5/5.9)	2400		2880		2.1	3	4.5	5.9	95		
JPG2650/(1.9/2.7/4/5.2)	2650		3180		1.9	2.7	4	5.2	100		
JPG3210/(1.6/2.2/3.3/4.4)	3120		3744		1.6	2.2	3.3	4.4	110		
JPG3850/(1.3/1.9/2.8/3.7)	3850		4620		1.3	1.9	2.8	3.7	120		
JPG4520/(1.1/1.6/2.4/3)	4520		5424		1.1	1.6	2.4	3	130		
JPG5240/(1/1.4/2/2.5)	5240	6288	1	1.4	2	2.5	140				
JPG6000/(0.9/1.2/1.8/2.3)	6000	7200	0.9	1.2	1.8	2.3	150				
JPG6850/(0.8/1/1.6/2)	6850	8220	0.8	1	1.6	2	160				
JPG7700/(0.7/0.9/1.4/1.8)	7700	9240	0.7	0.9	1.4	1.8	170				
JPG8600/(0.6/0.8/1.2/1.6)	8600	10320	0.6	0.8	1.2	1.6	180				
JPG9600/(0.5/0.7/1.1/1.5)	9600	11520	0.5	0.7	1.1	1.5	190				
JPG10700/(0.5/0.7/1/1.3)	10700	12840	0.5	0.7	2.1	1.3	200				
JPG11600/(0.5/0.7/1/1.3)	11600	13920	0.5	0.7	1.0	1.3	170				
JPG13000/(0.4/0.6/0.9/1.2)	13000	15600	0.4	0.6	0.9	1.2	180				
JPG14500/(0.3/0.5/0.8/1)	14500	17400	0.3	0.5	0.8	1.0	190				
JPG16000/(0.3/0.5/0.7/0.9)	16000	19200	0.3	0.5	0.7	0.9	200				



# JPW

Plunger  
Metering Pump



## MAIN PARAMETER

- Flow range: 250-21300LPH@50Hz/300-25560LPH@60Hz
- Pressure range: 7-500 Barr
- Power: 15/18.5/22/30KW 4 pole Motor
- Material: SS304; SS316, others on request

## PARAMETER TABLE

Model	50Hz		60Hz		Pressure (MPa)				Piston Size	Stroke Length (mm)	Connection
	Flow Rate (L/H)	Pump Speed (SPM)	Flow Rate (L/H)	Pump Speed (SPM)	15KW	18.5KW	22KW	30KW	Dia (mm)		
JPW250/50	250	96	300	115	50	/	/	/	28	DN15 Flange (HG/T20615TG)	
JPW330/(40/50)	330		396		40	50	/	/	/		32
JPW480/(29/35/42/50)	480		576		29	35	42	50	38		
JPW580/(24/30/34/46)	580		696		24	30	34	46	42		DN25 Flange (HG/T20615TG)
JPW830/(17/21/25/34)	830		996		17	21	25	34	50		
JPW1010/(14/17.5/21/28)	1010		1212		14	18	21	28	55	DN40 Flange (HG/T20615TG) (HG/T20592RF)	
JPW1200/(12/15/18/24)	1200		1440		12	15	18	24	60		
JPW1450/(10/12.5/15/20)	1450		1740		10.0	13	15	20	65		
JPW1680/(9/11/13/18)	1680		2016		9.0	11.0	13	18.0	70		
JPW1950/(8/9.5/11.5/15)	1950		2340		8.0	9.5	11.5	15	75		
JPW2220/(7/8.4/10/13.5)	2220		2664		7	8.4	10.0	13.5	80		
JPW2510/(6/7.4/8.9/12)	2510		3012		6.0	7.4	8.9	12.0	85		
JPW2850/(5.4/6.6/8/10.5)	2850		3420		5	6.6	8.0	10.5	90		
JPW3160/(4.8/6/7.1/9.5)	3160		3792		4.8	6.0	7.1	9.5	95		DN50 Flange (HG/T20592RF)
JPW3500/(4.2/5.2/6.4/8.5)	3500		4200		4.2	5.2	6	8.5	100		
JPW4250/(3.5/4.2/5.3/7)	4250		5100		3.5	4	5.3	7.0	110		
JPW5050/(3/3.6/4.5/6)	5050		6060		3.0	3.6	5	6.0	120		
JPW6000/(2.6/3.1/3.8/5)	6000		7200		2.6	3.1	4	5.0	130	DN65 Flange (HG/T20592RF)	
JPW7000/(2.2/2.7/3.2/4.2)	7000		8400		2.2	2.7	3.2	4.2	140		
JPW8000/(1.9/2.4/2.8/3.8)	8000		9600		1.9	2.4	2.8	4	150		
JPW9100/(1.6/2.1/2.4/3.2)	9100		10920		2	2.1	2	3.2	160		
JPW10200/(1.4/1.9/2.2/2.8)	10200		12240		1.4	1.9	2.2	2.8	170		DN80 Flange (HG/T20592RF)
JPW11500/(1.3/1.7/1.9/2.5)	11500		13800		1.3	2	1.9	3	180		
JPW12800/(1.1/1.5/1.8/2.2)	12800		15360		1.1	1.5	1.8	2.2	190		
JPW14200/(1/1.3/1.6/2)	14200		17040		1.0	1.3	1.6	2.0	200		
JPW15400/(1/1.3/1.6/2)	15400		18480		1.0	1.3	1.6	2.0	170	DN100 Flange (HG/T20592RF)	
JPW17200/(0.9/1.2/1.5/1.8)	17200		20640		0.9	1.2	1.5	1.8	180		
JPW19200/(0.8/1.1/1.3/1.7)	19200		23040		0.8	1.0	1.3	1.7	190		
JPW21300/(0.7/0.9/1.2/1.5)	21300	25560	0.7	0.9	1.2	1.5	200				
									DN125 Flange (HG/T20592RF)		

# JYPX

Hydraulic  
Diaphragm Pump



## MAIN PARAMETER

- Flow range: 1.5-210LPH@50Hz/1.8-252LPH@60Hz
- Pressure range: 10-600 Bar
- Power: 0.37kw IEC71 4 Pole Motor
- Material: SS304; SS316, other on request

## PARAMETER TABLE

Model	50Hz		60Hz		Pressure (MPa)	Piston Size	Stroke Length (mm)	Connection
	Flow Rate (L/H)	Pump Speed (SPM)	Flow Rate (L/H)	Pump Speed (SPM)		Dia (mm)		
JYPX1/60	1	96	1.2	114	60	6	20	Φ6 welding union
JYPX2/30	2		2.4		30	8		
JYPX5/25	5		6.0		25	10		
JYPX8/18	8	144	9.6	18	10			
JYPX15/12	15		18.0	12	12			
JYPX20/8	20	96	24.0	144	8	16		Φ10 welding union
JYPX30/7	30	144	36.0	173	7	16		
JYPX50/4.3	50		60.0	4.3	20			
JYPX63/3.2	63		96	75.6	114	3.2		
JYPX80/2.7	80	144	96.0	173	2.7	25		
JYPX100/2.1	100		120.0		2	28		
JYPX135/1.6	135		162.0		1.6	32		
JYPX160/1.3	160	144	192.0	173	1	35	Φ15 welding union	
JYPX190/1.1	190		228.0		1.1	38		
JYPX210/0.9	210		252.0		0.9	40		

Duplex or Triplex head is available.



# JYPZ

Hydraulic Diaphragm Pump



## MAIN PARAMETER

- Flow range: 4-810LPH@50Hz/4.8-972LPH@60Hz
- Pressure range: 6-700 Bar
- Power: **0.75kw** IEC80 4 Pole Motor
- Material: SS304; SS316, other on request"

## PARAMETER TABLE

Model	50Hz		60Hz		Pressure (MPa)	Piston Size		Stroke Length (mm)	Connection
	Flow Rate (L/H)	Pump Speed (SPM)	Flow Rate (L/H)	Pump Speed (SPM)		Dia (mm)			
JYPZ4/70	4	96	4.8	114	70	8	25	Φ6 welding union	
JYPZ7/44	7		8.4		44	10			
JYPZ10/30	10		12.0		30	12			
JYPZ18/22	18	144	21.0	173	22	12			Φ10 welding union
JYPZ23/17	23	96	27.0	114	17	16			
JYPZ37/12	37	144	44.4	173	12	16			
JYPZ50/10	50		60.0		10	18			
JYPZ62/8	62		74.0		8.0	20			
JYPZ75/6.5	75		90.0		6.5	22			
JYPZ100/5.0	100		120.0		5.0	25			
JYPZ140/3.5	140		144		168.0	173		4	30
JYPZ160/3.2	160	192.0		3	32				
JYPZ205/2.5	205	246.0		3	36				
JYPZ260/2.0	260	312.0		2	40				
JYPZ330/1.6	330	396.0		2	45				
JYPZ410/1.3	410	492.0		1	50				
JYPZ500/1.0	500	144	600.0	173	1.0	55	DN25 Flange (HG/T20592RF)		
JYPZ600/0.8	600		720.0		1	60			
JYPZ700/0.7	700		840.0		0.7	65			
JYPZ810/0.6	810		972.0		0.6	70			

# JYPR

Hydraulic Diaphragm Pump



## MAIN PARAMETER

- Flow range: 7-1600LPH@50Hz/8.4-1920LPH@60Hz
- Pressure range: 7-700 Bar
- Power: **1.5kw** IEC90 4 Pole Motor
- Material: SS304; SS316, other on request

## PARAMETER TABLE

Model	50Hz		60Hz		Pressure (MPa)	Piston Size		Stroke Length (mm)	Connection
	Flow Rate (L/H)	Pump Speed (SPM)	Flow Rate (L/H)	Pump Speed (SPM)		Dia (mm)			
JYPR7/70	7	96	8.4	114	70	10	30	Φ6 welding union	
JYPR12/55	12		14		55	12			
JYPR25/30	25		30		30	16			
JYPR42/22	42	144	21	173	22	16		Φ10 welding union	
JYPR56/18	56		27		18	18			
JYPR72/15	72		86		15	20			
JYPR90/12.5	90		108		13	22			
JYPR115/9.5	115		74		9.5	25			
JYPR130/8.0	130		96		156	114			8.0
JYPR170/6.5	170	144	204	173	6.6	30			
JYPR200/5.8	200		240		6	32			
JYPR250/4.5	250		300		5	36			
JYPR310/3.7	310		372		4	40			
JYPR400/3.0	400		144		480	173	3	45	DN25 Flange (HG/T20592RF)
JYPR500/2.4	500				600		2	50	
JYPR600/2.0	600	720		2	55				
JYPR710/1.7	710	852		2	60				
JYPR830/1.4	830	996		1	65				
JYPR960/1.2	960	144		1152	173		1	70	
JYPR1100/1.0	1100		1320	1.0		75			
JYPR1250/0.9	1250		1500	1		80			
JYPR1420/0.8	1420		1704	0.8		85			
JYPR1600/0.7	1600		1920	0.7		90			

# JYPD

Hydraulic Diaphragm Pump

## MAIN PARAMETER

- Flow range: 15-3350LPH@50Hz/18-4020LPH@60Hz
- Pressure range: 6-700 Bar
- Power: **3kw/4kw** 4 Pole Motor
- Material: SS304; SS316, other on request



## PARAMETER TABLE

Model	50Hz		60Hz		Pressure (MPa)		Piston Size	Stroke Length (mm)	Connection
	Flow Rate (L/H)	Pump Speed (SPM)	Flow Rate (L/H)	Pump Speed (SPM)	3KW	4KW	Dia (mm)		
JYPD15/70	15	96	18	114	70	/	12	50	Φ10 welding union
JYPD30/(52/70)	30	144	36	173	52	70	12		
JYPD40/(40/60)	40	96	48	114	40	60	16		
JYPD65/(28/40)	65	144	78	173	28	40	16		
JYPD90/(22/30)	90		108		18				
JYPD110/(18/25)	110	144	132	173	18	25	20		
JYPD140/(15/21)	140		168		22				
JYPD190/(11.5/16)	190		228		25				
JYPD270/(8.2/11)	270		324		30				
JYPD320/(7.2/10)	320	144	384	173	7.2	10.0	32		
JYPD410/(5.8/8)	410		492		36				
JYPD520/(4.6/6.5)	520		624		40				
JYPD650/(3.6/5.1)	650		780		45				
JYPD820/(2.9/4.2)	820	144	984	173	2.9	4.2	50		
JYPD1000/(2.4/3.4)	1000		1200		55				
JYPD1200/(2/2.9)	1200		1440		60				
JYPD1300/(1.8/2.6)	1300		1560		63				
JYPD1400/(1.7/2.4)	1400	144	1680	173	1.7	2.4	65		
JYPD1600/(1.5/2)	1600		1920		70				
JYPD1850/(1.3/1.8)	1850		2220		75				
JYPD2100/(1.1/1.6)	2100		2520		80				
JYPD2400/(1/1.4)	2400	144	2880	173	1.0	1.4	85		
JYPD2700/(0.8/1.2)	2700		3240		90				
JYPD3000/(0.7/1.1)	3000		3600		95				
JYPD3350/(0.6/0.9)	3350		4020		100				

# JYPG

Hydraulic Diaphragm Pump

## MAIN PARAMETER

- Flow range: 80-11500LPH@50Hz/96-13800LPH@60Hz
- Pressure range: 5-700 Bar
- Power: **5.5kw/7.5kw/11kw/15kw** 4 Pole Motor
- Material: SS304; SS316, other on request



## PARAMETER TABLE

Model	50Hz		60Hz		Pressure (MPa)				Piston Size	Stroke Length (mm)	Connection
	Flow Rate (L/H)	Pump Speed (SPM)	Flow Rate (L/H)	Pump Speed (SPM)	5.5KW	7.5KW	11KW	15KW	Dia (mm)		
JYPG80/(50/70)	80	144	96	173	50	70	/	/	16	60	DN15 Flange (HG/T20615TG)
JYPG130/(30/52/66/70)	130		156		20						
JYPG210/(21/30/43/58)	210		252		25						
JYPG310/(15/21/30/40)	310		372		30						
JYPG370/(13.2/18.5/27/36)	370		444		32						
JYPG500/(10.7/14.5/23/28)	500		600		36						
JYPG610/(8.6/12/18/23)	610		732		40						
JYPG780/(6.8/9.5/14/18)	780		936		45						
JYPG960/(5.4/7.6/11/15)	960		1152		50						
JYPG1200/(4.5/6.3/9.5/12)	1200		1440		55						
JYPG1400/(3.8/5.4/8/10)	1400	1680	60								
JYPG1560/(3.5/4.8/7.3/9)	1560	1872	63								
JYPG1670/(3.2/4.5/6.7/8.5)	1670	2004	65								
JYPG1910/(2.8/4/6/8)	1910	2292	70								
JYPG2200/(2.4/3.5/5.1/7)	2200	2640	75								
JYPG2500/(2.2/3.1/4.5/6)	2500	3000	80								
JYPG2850/(2/2.7/4/5.2)	2850	3420	85								
JYPG3200/(1.8/2.4/3.6/4.6)	3200	3840	90								
JYPG3600/(1.6/2.1/3.2/4.1)	3600	4320	95								
JYPG4000/(1.4/1.9/2.8/3.6)	4000	4800	100								
JYPG4800/(1.2/1.6/2.4/3)	4800	5760	110								
JYPG5700/(1/1.3/2/2.5)	5700	6840	120								
JYPG6750/(0.8/1.1/1.7/2.1)	6750	8100	130								
JYPG7800/(0.7/1/1.5/1.9)	7800	9360	140								
JYPG9000/(0.6/0.8/1.2/1.5)	9000	10800	150								
JYPG10200/(0.5/0.7/1/1.3)	10200	12240	160								
JYPG11500/(0.4/0.6/0.9/1.2)	11500	13800	170								



## MAIN PARAMETER

- Flow range: 110-21000LPH@50Hz/132-25200LPH@60Hz
- Pressure range: 6-700 Bar
- Power: 15/18.5/22/30kw 4 Pole Motor
- Material: SS304; SS316, other on request



## PARAMETER TABLE

Model	50Hz		60Hz		Pressure (MPa)				Piston Size	Stroke Length (mm)	Connection
	Flow Rate (L/H)	Pump Speed (SPM)	Flow Rate (L/H)	Pump Speed (SPM)	15KW	18.5KW	22KW	30KW	Dia (mm)		
JYPW110/70	110		132		70	/	/	/	20	DN15 Flange (HG/T20615TG)	
JYPW180/(65/70)	180		216		65	70	/	/	25		
JYPW260/(45/58/70)	260		312		45	58	70	/	30		
JYPW310/(40/50/60/70)	310		372		40	50	60	70	32		
JYPW380/(32/41/48/66)	380		456		32	41	48	66	36		
JYPW500/(27/34/40/54)	500		600		27	34	40	54	40		
JYPW650/(21/27/31/42)	650		780		21	27	31	42	45		
JYPW820/(17/21/25.5/35)	820		984		17.0	21	26	35	50		
JYPW1000/(14.5/17.5/21/29)	1000		1200		14.5	17.5	21	29.0	55		
JYPW1200/(12/15/18/24)	1200		1440		12.0	15.0	18.0	24	60		
JYPW1320/(11/13.5/16/21)	1320		1584		11	13.5	16.0	21.0	63		
JYPW1410/(10.2/12.8/15.2/20)	1410		1692		10.2	12.8	15.2	20.0	65		
JYPW1650/(9/11/13/18)	1650		1980		9	11.0	13.0	18.0	70		
JYPW1900/(8/10/12/16)	1900		2280		8.0	10.0	12.0	16.0	75		
JYPW2200/(7.8/5/10.5/14)	2200	96	2640	114	7.0	8.5	11	14.0	80		
JYPW2450/(6/7.5/9/12)	2450		2940		6.0	8	9.0	12.0	85		
JYPW2800/(5.4/6.8/8/10.6)	2800		3360		5.4	6.8	8	10.6	90		
JYPW3100/(4.8/6/7.1/9.5)	3100		3720		4.8	6.0	7	9.5	95		
JYPW3400/(4.4/5.5/6.5/8.8)	3400		4080		4.4	5.5	6.5	8.8	100		
JYPW4200/(3.5/4.5/5.3/7)	4200		5040		3.5	4.5	5.3	7	110		
JYPW5000/(3/3.8/4.5/6)	5000		6000		3	3.8	5	6.0	120		
JYPW5800/(2.5/3.2/3.8/5.1)	5800		6960		2.5	3.2	3.8	5.1	130		
JYPW6800/(2.2/2.8/3.3/4.5)	6800		8160		2.2	3	3.3	5	140		
JYPW8000/(1.9/2.4/2.9/3.9)	8000		9600		1.9	2	2.9	4	150		
JYPW9000/(1.7/2.1/2.5/3.4)	9000		10800		1.7	2	2.5	3	160		
JYPW10100/(1.5/1.9/2.2/3)	10100		12120		1.5	2	2.2	3	170		
JYPW11400/(1.4/1.7/2/2.8)	11400		13680		1.4	2	2.0	3	180		
JYPW12700/(1.2/1.5/1.8/2.5)	12700		15240		1.2	2	1.8	3	190		
JYPW14000/(1.1/1.4/1.6/2.3)	14000		16800		1.1	1	1.6	2	200		
JYPW15200/(1.1/1.3/1.5/2.2)	15200		18240		1.1	1.3	1.5	2.2	170		
JYPW17000/(1/1.2/1.5/2)	17000	14	20400	173	1.0	1.2	1.5	2.0	180		
JYPW19000/(0.9/1.1/1.3/1.8)	19000		22800		0.9	1.1	1.3	1.8	190		
JYPW21000/(0.8/1/1.2/1.6)	21000		25200		0.8	1.0	1.2	1.6	200		

## Digital Metering pump performance parameter

### DMA/JMA Parameter

Model	Flow L/h	Pressure Mpa	Diapnrang m mm	Power W	Connection		
					PVC	PVDF	304/316
DMA/JMA7.5/1.2	7.5	1.2	51.5	80	6*9 PE hose	6*9mm PE hose	6*12 union for welding
DMA/JMA15/1.0	15	1.0					10*16 union for welding
DMA/JMA25/1.0	25	1.0	84		DN15 union	Rc1/2" F Thread	15x22 union for welding
DMA/JMA50/1.0	50	1.0					
DMA/JMA80/0.7	80	0.7					
DMA/JMA100/0.7	100	0.7					
DMA/JMA120/0.7	120	0.7					
DMA/JMA150/0.5	150	0.5					
DMA/JMA200/0.3	200	0.3					

### DMB/JMB Parameter

Model	Flow L/h	Pressure Mpa	Diapnrang m mm	Power Kw	Connection		
					PVC	PVDF/PTFE*	304/316
DMB/JMB170/0.7	170	0.7	112	0.75	DN15 union	Rc1/2" F Thread	15x22 union for welding
DMB/JMB240/0.5	240	0.5					
DMB/JMB330/0.5	330	0.5					
DMB/JMB400/0.5	400	0.5					
DMB/JMB500/0.5	500	0.5					
					DN20 union	Rc3/4" F Thread	

### DMC/JMC Parameter

Model	Flow L/h	Pressure Mpa	Diapnrang m mm	Power Kw	Connection		
					PVC	PVDF/PTFE*	304/316
DMC/JMC240/1.0	240	1.0	148	1.1	DN25 union	DN25 Flange	Rc1" F Thread
DMC/JMC320/1.0	320	1.0	148				
DMC/JMC500/1.0	500	1.0	148				
DMC/JMC680/0.7	680	0.7	148				
DMC/JMC760/0.5	760	0.5	148				
DMC/JMC1000/0.4	1000	0.4	148				
DMC/JMC1200/0.4	1200	0.4	185	1.5	DN40 union	DN40 Flange	Rc1 1/2" F Thread
DMC/JMC1600/0.3	1600	0.3	185				
DMC/JMC2000/0.3	2000	0.3	185				

### DMCS/JMCS Parameter

Model	Flow L/h	Pressure Mpa	Diapnrang m mm	Power Kw	Connection		
					PVC	PVDF/PTFE*	304/316
DMCS/JMCS1360/0.7	1360	0.7	148	1.5	DN25 union	DN25 PVC Flange	Rc1" F Thread
DMCS/JMCS1500/0.5	1500	0.5	148				
DMCS/JMCS2000/0.4	2000	0.4	148				
DMCS/JMCS2400/0.4	2400	0.4	185		DN40 union	DN40 PVC Flange	Rc1 1/2" F Thread
DMCS/JMCS3200/0.3	3200	0.3	185				
DMCS/JMCS4000/0.3	4000	0.3	185				

Note: in the PVDF and PTFE parameters above, \* is optional configuration.



# DM/JM Series Technical Parameter



		DM	JM	
Mechanical Parameter	Max Flow@Pressur	[L/h Bar]	4000L/h @3Bar	4000L/h @3Bar
	Adjustment Scale		100:1	100:1
	Max Pressure	[Bar]	12Bar	12Bar
	Connection Size		DN6—DN40	DN6—DN40
	Head Material		PVDF/PVC/316/304	PVDF/PVC/316/304
	Diaphragm Material		composite PTFE	composite PTFE
	Max Suction height on working	[m]	6	
	Max Suction height	[m]	2	2
	Max Viscosity	[mPa·s]	2000	2000
	Liquid Temperature Range	[°C]	-10—80	-10—80
	Ambient Temperature Range	[°C]	0—50	0—50
	Stability Accuracy	[%]	±1	±1
	Repeatability Accuracy	[%]	±1	±1
Electrical Parameter	Voltage	[VAC]	220V, 50/60Hz	220V, 50/60Hz
	Rated Power	[W]	80/750/1100/500	80/750/1100/500
	Cable Plug Type		Aviation plug * 2	Aviation plug * 2
	Protection Class		IP65	IP65
Control Parameter	Control box		HMI (Touch screen)	LCD + key
	Run Mode		Remote / Local, Manual / Automatic	Remote / Local, Manual / Automatic
	Flow Calibration		yes	yes
	Analog Input and Output		4-20mA	4-20mA
	4-20mA reverse		yes	yes
	4-20mA Linear Control		yes	yes
	Pulse Signal Input		yes	yes
	External Start-stop Control		yes	yes
	Timer Dosing		yes	No
	Timed Periodic Dosing		yes	No
	Quantitative Dosing		yes	yes
	Level Indication		Analog / switch	No
	Low level Stop Pump, Alarm		yes	No
Pressure monitoring (min / max)		4-20mA	No	
Communication Protocol		Modbus RTU	Modbus RTU	
Options	Liquid end - Modular		Mechanical Diaphragm / plunger / Hydraulic Diaphragm	Mechanical Diaphragm / plunger / Hydraulic Diaphragm
	Double Diaphragm		yes	yes
	Diaphragm Rupture Monitoring Alarm		yes	yes
	Explosion Proof - Modular		No	yes

# JMP/JMYP

plunger/Hydraulic Diaphragm Digital Metering pump



## summary

DM/JM Series digital metering pump its digital control software and hardware adopts modular design, can be applied to the full series of mechanical diaphragm plunger hydraulic diaphragm metering pump products, and can meet the requirements of explosion-proof its mechanical structure is simple, convenient installation and maintenance, integration of a variety of intelligent design in one, a wide range of application JM Series metering pump adopts large screen HD backlight LCD With key operation, DM Series adopts touch HMI, the operation is more convenient, and on the basis of JM Series can realize pressure level monitoring and alarm, can also realize the mode of timing cycle and other high-precision metering.

## Technical Parameter

Flow range: plunger, hydraulic diaphragm Qmax=45m<sup>3</sup>/h  
 pressure range: plunger pmax=50Mpa, hydraulic diaphragm pmax=70Mpa  
 Electrical parameters: AC220/380v single-phase/three-phase, 50/60Hz, optional explosion-proof grade  
 Flow end material: 304/316L, PVDF, 904, 2205, TA, Hastelloy C, etc

## Features

Innovation-driven structure has excellent performance, precision and reliability  
 Material pump head optional: PVDF/pvc/316/304  
 Modular design, suitable for diaphragm, plunger, hydraulic diaphragm pump  
 Modular design, suitable for explosion-proof occasions  
 stability accuracy and reproducibility accuracy are up to ±0.1%  
 Flow regulation ratio 1000:1, high linear accuracy of flow  
 Adjust analog signal 4-20mA input and output  
 pulse signal control regulation  
 Manual/automatic, remote/local control mode  
 Flow calibration  
 External pressure and liquid level input control protection  
 Timing, quantitative add batch processing  
 Multiple universal serial ports, supporting Modbus RTU Communication  
 Man-machine interface: touch screen HMI / backlit HD LCD  
 Modular design, suitable for diaphragm, plunger, hydraulic diaphragm pump  
 Modular design, suitable for explosion-proof occasions

# Metering pump stroke controller



## Metering pump stroke controller

Metering pump stroke controller can achieve 0-100% manual/automatic metering pump stroke length locally/remotely, through the percentage of manual input or received control signal, automatically adjust the stroke position to adjust the metering pump stroke length, and finally adjust the metering pump output flow, to achieve the purpose of automatic control stroke controller with local percentage and analog flow (based on calibrated flow conversion) display, control adjustment and maintenance is easy.

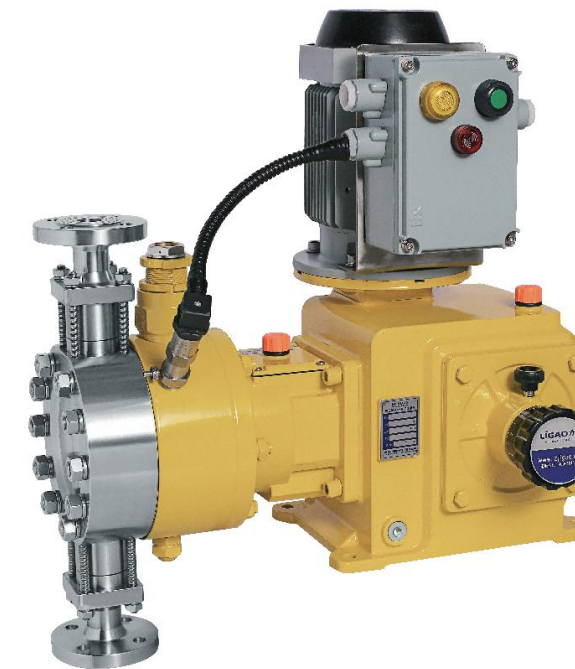
### Main Advantages

- Adjustment range :0-100%
- No external auxiliary control equipment is required
- Automatic stroke adjustment does not affect pump pulse
- High adjustment precision, and provide flow calibration function
- Highly integrated, saving operation and maintenance costs
- Automatic and manual mode conversion can be realized
- Automatic position feedback after adjustment
- stroke position automatically locks in case of unexpected power failure
- Large LCD - set percentage, actual percentage, analog flow display
- Modular design, suitable for the full range of metering pump products

### Technical parameters

- Rated voltage: AC220V±10%, 50/60Hz
- power: 25 w
- Hold torque: 9Nm
- Adjusting speed:0-100% ( 10aps - 100sec)
- control signal : 4-20mA
- Feedback signal : 4-20mA
- Large SCREEN LCD: set percentage, actual percentage, simulated flow
- output accuracy: ±0.5%F.S
- Flow value display accuracy :± 1.5% (100% at full scale)
- protection level : Ip65
- Insulation grade: F
- operating temperature : -20 -- 50c
- Relative humidity: 90% (at 25c)
- weight: 3.5 kg

# Diaphragm Metering Pump Series



## Summary

The hydraulic double-diaphragm metering pump adds a layer of diaphragm on the basis of the hydraulic diaphragm-type metering pump, and is monitored by sensors or instruments to prevent accidents caused by the rupture of the single-layer diaphragm. It is equipped with a diaphragm rupture monitoring and alarm system, which improves the use of the pump safety. The maximum flow of a single head is less than or equal to 10200L/H, and the maximum pressure is less than or equal to 70MPa.

## Features

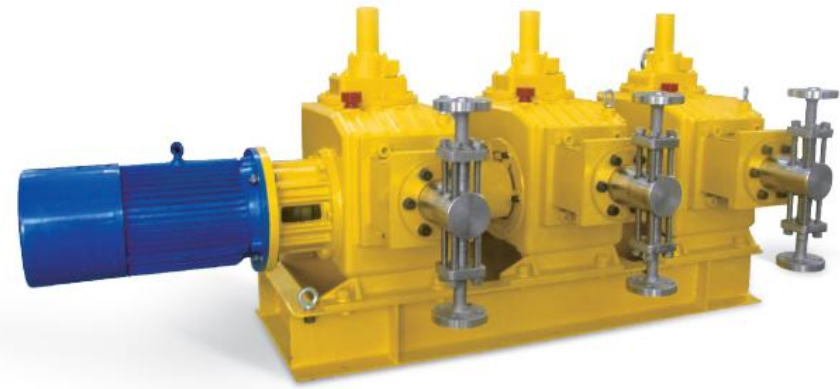
The liquid end is sealed with double-layer diaphragm, which has no leakage and higher safety. The double-layer diaphragm is vacuum-fitted in normal operation, and the measurement accuracy is high. Once the diaphragm is ruptured, the sensor can detect it within 0.2S and feed back a signal, the metering pump's own control system immediately stops the metering pump and sends out an audible and visual alarm, which effectively protects the safety of use. According to the user's needs, the corresponding signal can also be sent to the central control room, and it will be alarmed and repaired at the first time. Usually PTFE diaphragm is used, which has excellent corrosion resistance and temperature resistance. The pump has a built-in overload valve to automatically release pressure to protect the pump, but it cannot be used for a long time. The flow/pressure has a wide range of applications, and can be applied to special media such as high and low temperature, high viscosity, corrosiveness, solid content, flammable and explosive, highly toxic, malodorous, and radioactive. It can be double-headed or multi-headed in parallel to increase the flow and reduce the pulse, and it can also transport a variety of media at the same time as a proportional pump. Optional Ligao metering pump stroke controller to achieve a wider range of automatic control.

## Ligao Advantage

The pump has its own control system, monitoring sensor, sound and light alarm, fast response time and higher safety, which is better than the local display instrument. The patented integral adjustable eccentric mechanism is efficient and reliable, the stroke can be adjusted steplessly from 0 to 100%, and the stability accuracy, repeatability accuracy and linearity accuracy of the metering pump can reach ±1%. Single-layer or multi-layer metal diaphragms can be used, and the maximum pressure can reach 70MPa. Diversified and high-precision check valve components (ball type, stack valve type, angle valve type, etc.), and the wearing parts valve seat can be used on both sides, reducing the cost of use and improving the maintenance efficiency.



# MULTIPLE HEADS PUMPS ON REQUEST



# PUMP ACCESSORIES



SAFETY VALVE



BACK PRESSURE VALVE



PULSE DAMPER



Y FILTER



FOOT FILTER



NON-RETURN VALVE



CALIBRATION COLUMN



# PACKAGED DOSING SYSTEM


**LIGAO PACKAGED DOSING SYSTEM** is customized system that is ready mounted and ready for use. The standard system is with dosing pumps, piping, storage tank, and other instruments required. The system is usually supplied with a platform skid , sometimes with a ladder. All these dosing skids are designed responding to individual needs and configured in-house. We have gained a lot of experience on packaged dosing system design and manufacturing.



## FEATURES AND BENEFITS:

1. All systems are mounted on the skid, easy and simple for installation.
2. Compact design, minimal space required.
3. Control cabinet can achieve local manual adjustment and automatic dosing. All the electrical, instrumentation are concentrated in the electrical cabinet assembly, compact, safe and convenient operation.
4. Easy operation, easy maintenance.
5. Accurate and stable dosing with wide dosing range.

# AIR DIAPHRAGM PUMP LIST

Model	Product	Specification	Maximum Flow	Maximum Working Pressure	Size of Liquid Inlet And Outlet	Material	Maximum Transported Solid Granule
JQ06		1/4 inch Standard Type Plastic Pump Series	4.5gpm (17lpm)	100psi (7.0 bar)	1/4" Inlet And Outlet	Conductive Acetal PPK ynar (PVDF)	0.02 in. (0.5mm)
JQ10		3/8 inch Plastic Pump Series	7gpm (26.5lpm)	100psi (7.0 bar)	3/8" Inlet And Outlet Lined with Stainless Steel Reinforcing Sleeve	Conductive Acetal	1/16 in. (1.6mm)
JQ15		1/2 inch Standard Type Plastic Pump Series	13.2gpm (50lpm)	100psi (7.0 bar)	1/2" Side Inlet 3/4" Outlet Inlet And Outlet	Conductive Acetal Kynar (PVDF)	3/32 in. (2.5mm)
JQ15		1/2 inch Standard Type Metal Pump Series	13.2gpm (50lpm)	100psi (7.0 bar)	3/4" Outlet Inlet And Outlet	316 Stainless Steel 304 Stainless Steel Aluminum Alloy	3/32 in. (2.5mm)
JQ20		1/2 inch Standard Type Plastic Pump Series	13.2gpm (50lpm)	100psi (7.0 bar)	1/2" Side Inlet 3/4" Outlet Inlet And Outlet	Conductive Acetal Kynar (PVDF)	3/32 in. (2.5mm)
JQ25		1 inch Standard Type Plastic Pump Series	40gpm (150lpm)	100psi (7.0 bar)	3/4" Inlet And Outlet	Conductive Acetal Kynar (PVDF)	0.16 in. (4mm)
JQ25		1 inch Metal Pump Series	40gpm (150lpm)	100psi (7.0 bar)	1" Inlet And Outlet	Aluminum Alloy Ductile Iron 304/316	0.16 in. (4mm)
JQ40		1.5 inch Plastic Pump Series	90gpm (340lpm)	100psi (7.0 bar)	1.5" Inlet And Outlet	Conductive Acetal Kynar (PVDF)	0.2 in. (5mm)
JQ40		1.5 inch Metal Pump Series	90gpm (340lpm)	100psi (7.0 bar)	1.5" Inlet And Outlet	Aluminum Alloy Stainless Steel Ductile Iron	0.2 in. (5mm)
JQ40		1.5 inch Metal Pump Series	90gpm (340lpm)	100psi (7.0 bar)	1.5" Inlet And Outlet	Aluminum Alloy Stainless Steel Ductile Iron	0.2 in. (5mm)
JQ50		2 inch Plastic Pump Series	150gpm (570lpm)	100psi (7.0 bar)	2" Flange Type Inlet And Outlet	Kynar(PVDF)	0.24 in. (6mm)
JQ50		2 inch Metal Pump Series	150gpm (570lpm)	100psi (7.0 bar)	2" Inlet And Outlet	Aluminum Alloy Stainless Steel Ductile Iron	0.24 in. (6mm)
JQ80		3 inch Plastic Pump Series	265gpm (104lpm)	100psi (7.0 bar)	3" Flange Type Inlet And Outlet	Aluminum Alloy	0.26 in. (10mm)
JQ80		3 inch Metal Pump Series	265gpm (104lpm)	100psi (7.0 bar)	3" Flange Type Inlet And Outlet	Stainless Steel	0.26 in. (10mm)