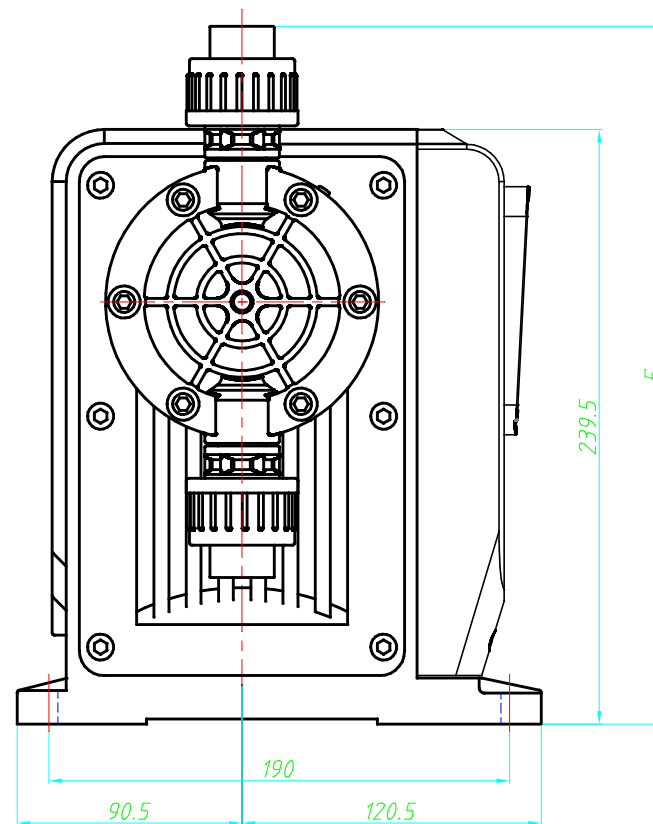
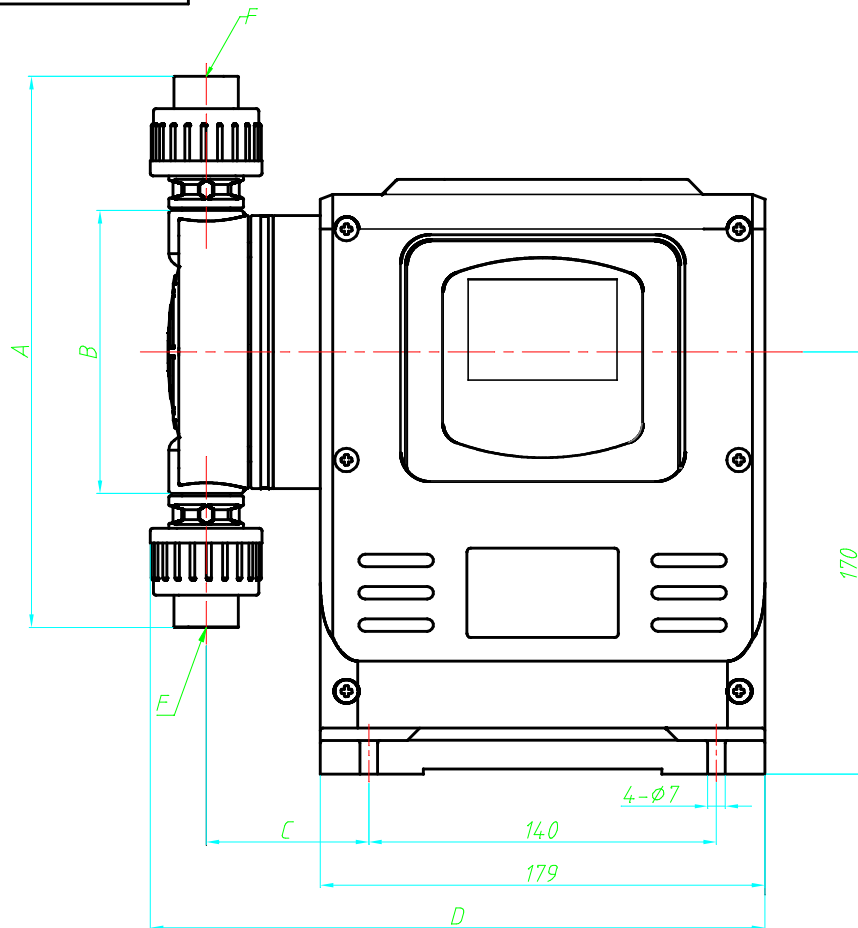


JMA-000

2021-07-06



	Model	A	B	C	D	E	F
JMA15-40	PVC	188	94	63.5	237.5	258	6X9 PE hose
	PVDF	220	94	63.5	245.5	280	
	ss	230	90	66.5	242.5	285	
	PTFE	146	90	71.5	253.5	243	
	Model	A	B	C	D	E	F
JMA60-200	PVC	222	114	65.5	247.5	281	DN15 union
	PVDF	234	114	65.5	247.5	287	
	ss	256	110	65.5	247.5	298	
	PTFE	166	110	65.5	247.5	253	

					JMA					
					Drawing					
Mark	No.	Revise	Sign	Date	Mark	QTY	Version	Scale		
Design										
Drawn						1		1:1		
Check										
Audit					Page of	Total Pages		Ligao Pump Technology		